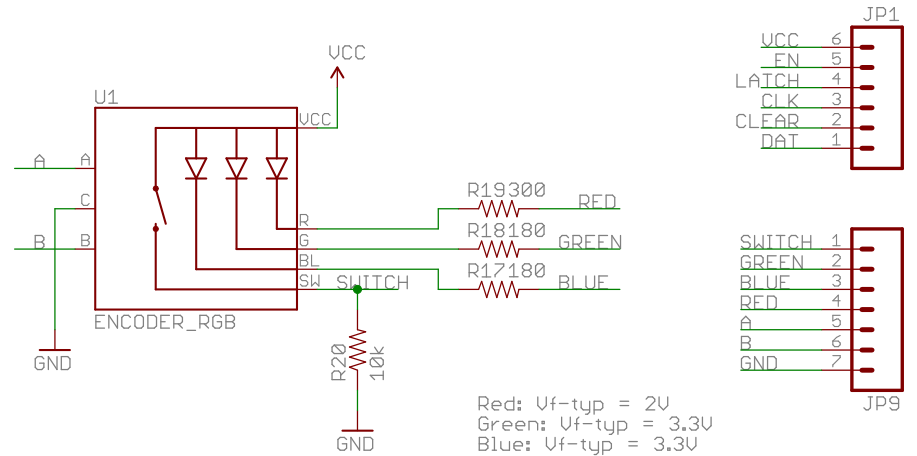
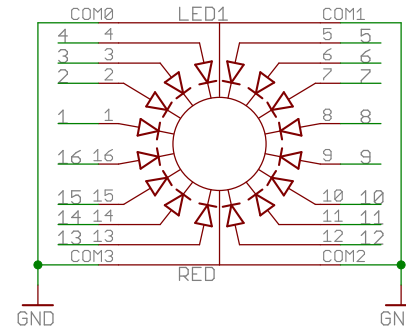


LED Current:
 I_f -typ = 2V
 @ 300 Ohm, 5V: 10mA
 @ 300 Ohm, 3.3V: 4.3mA



Red: V_f -typ = 2V
 Green: V_f -typ = 3.3V
 Blue: V_f -typ = 3.3V

Red: I_{typ} = 10mA @ 5V
 Blue/Green: I_{typ} = 9.4mA

v13 Changelog:

- * Added current-limiting resistors to all shift register outputs
- * Replaced 2-color illuminated rotary encoder with RGB encoder
- * Added output to header for BLU LED, shifted header 0.05"
- * Moved mounting holes down, and fiducials accordingly



open hardware

Released under the Creative Commons Attribution Share-Alike 3.0 License
<http://creativecommons.org/licenses/by-sa/3.0>
 Design by: Jim Lindblom

⊗ ⊗		○
TITLE: LED-RingCoder-v14		SFE SFE
Document Number:		REV:
Date: 2/22/2012 12:47:09 PM		Sheet: 1/1