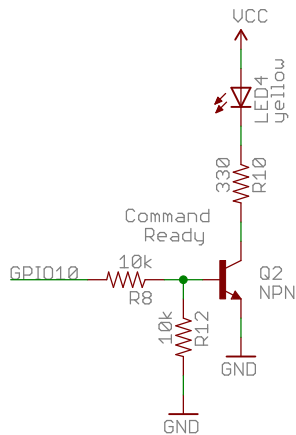
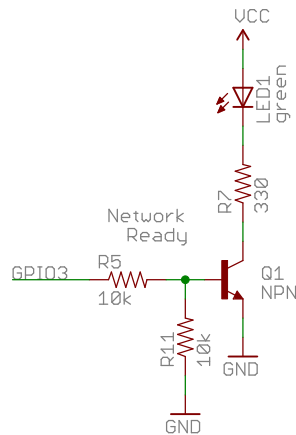
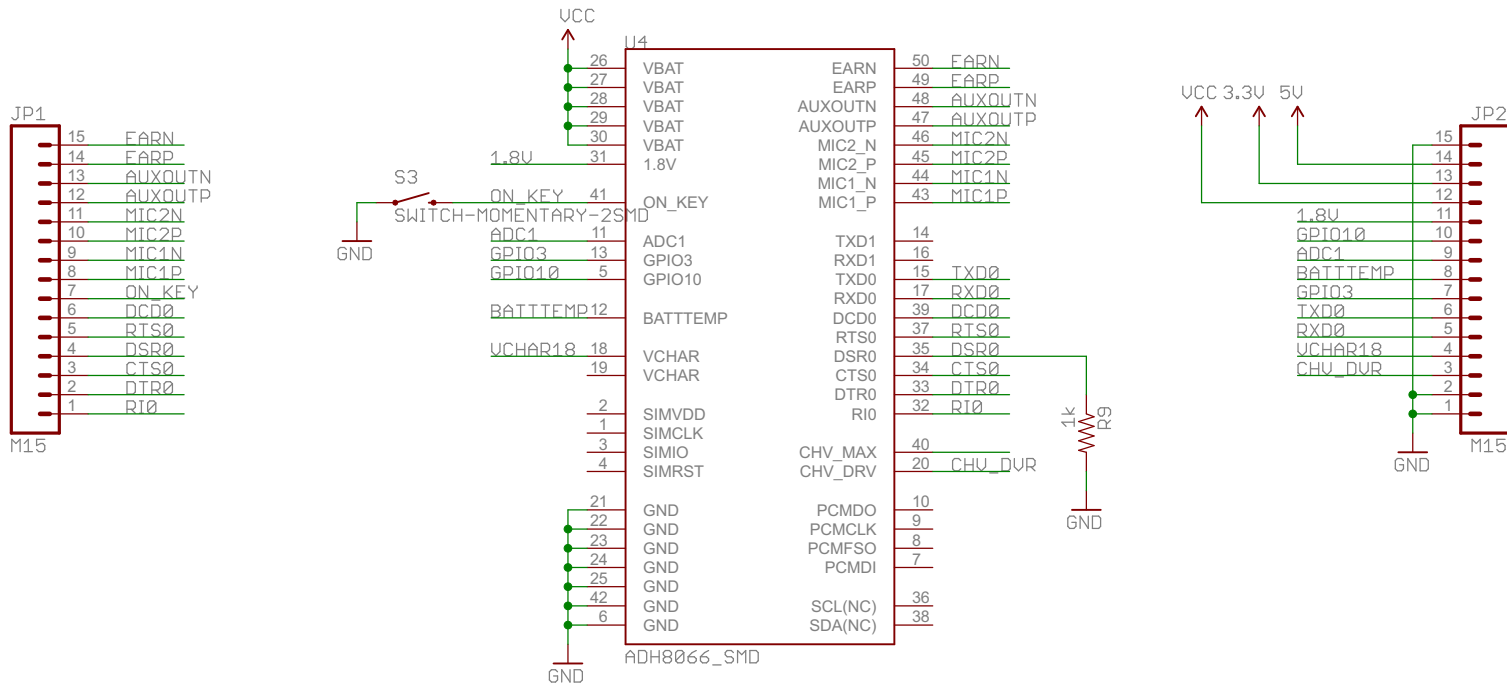


<input type="checkbox"/> <input type="checkbox"/> <input type="checkbox"/> <input type="checkbox"/>	
SFE SFE	
TITLE: adh8066_eval-v14	
Document Number:	REV:
Date: 3/16/2012 5:31:53 PM	Sheet: 1/2



TITLE: adh8066\_eval-v14

Document Number:

REV:

Date: 3/16/2012 5:31:53 PM

Sheet: 2/2