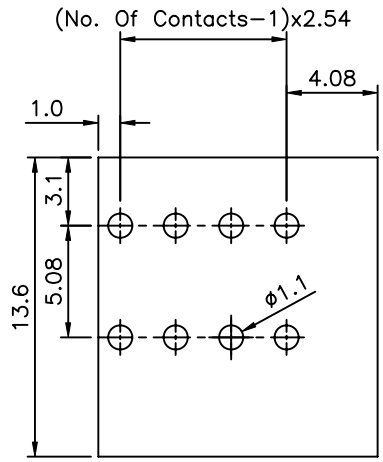
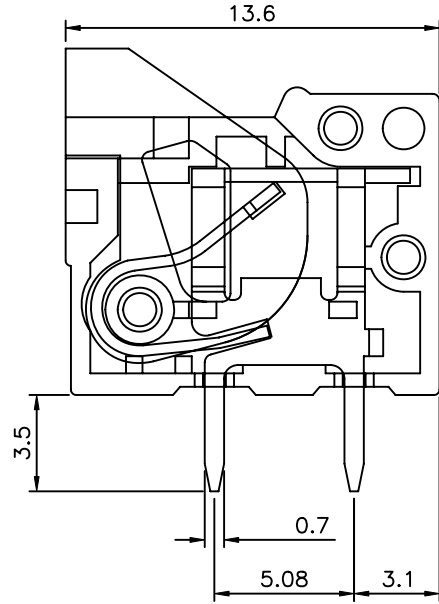
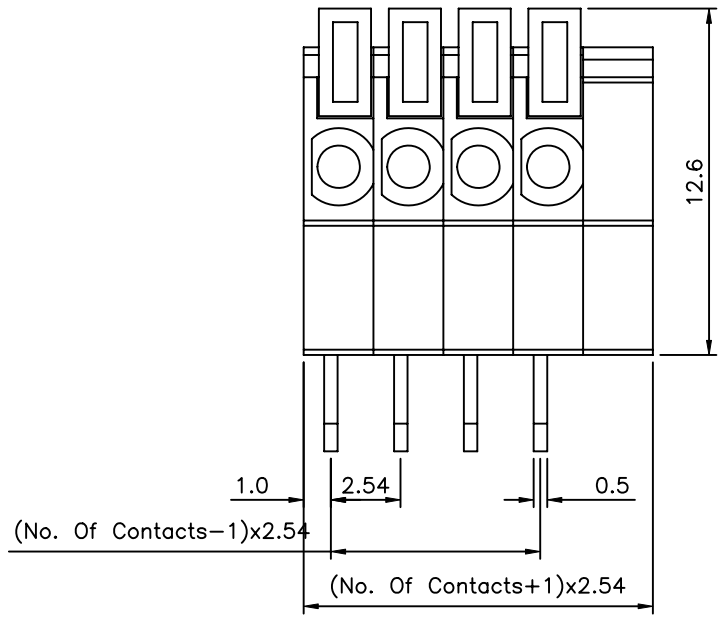


SPECIFICATION
 Current Rating:2 Amp/Way Max.
 Voltage Rating:150V AC
 Contact Resistance:20 Milliohms Max.
 Insulation Resistance:1000 Megaohms Min.
 Wire Range:20~26AWG
 Operation Temperature:-50°C~+105°C
 Test Temperature:250°C 5 Seconds Max.
 Contact:Brass
 Surface Of Solder Tail:Tin Plated
 Wire Guard:Stainless Steel
 Housing:PA66+30%G.F. UL94V-0,Green
 Button:PA66 UL94V-0,Orange
 RoHS Compliant



Recommended P.C.B. Layout



4UCON 元化興業股份有限公司
 4UCON TECHNOLOGY INC.

DRAWING No.		APPROVED BY		UNLESS OTHERWISE SPECIFIED TOLERANCES ARE X. ±0.50 .X ±0.30 .XX ±0.20 ANG. ±1°
19898		MEI		
		CHECKED BY HZF		
		DRAWING BY WZL		
SCALE	NONE	REV.	A0	UNIT mm

NO.	REV.	REVISIONS	CHK	DATE
△ A0		NEW RELEASE	HZF	05/23/2009