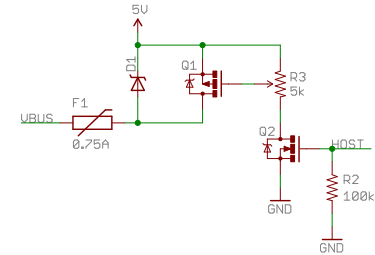
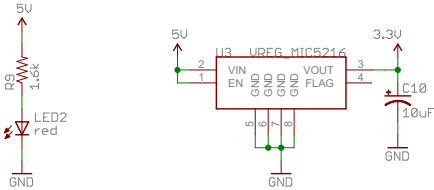
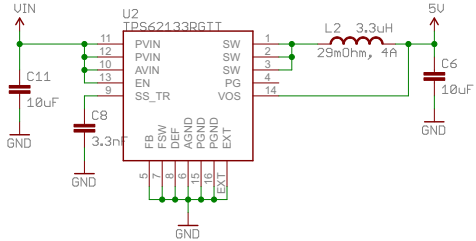
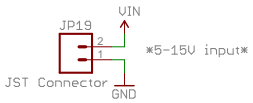
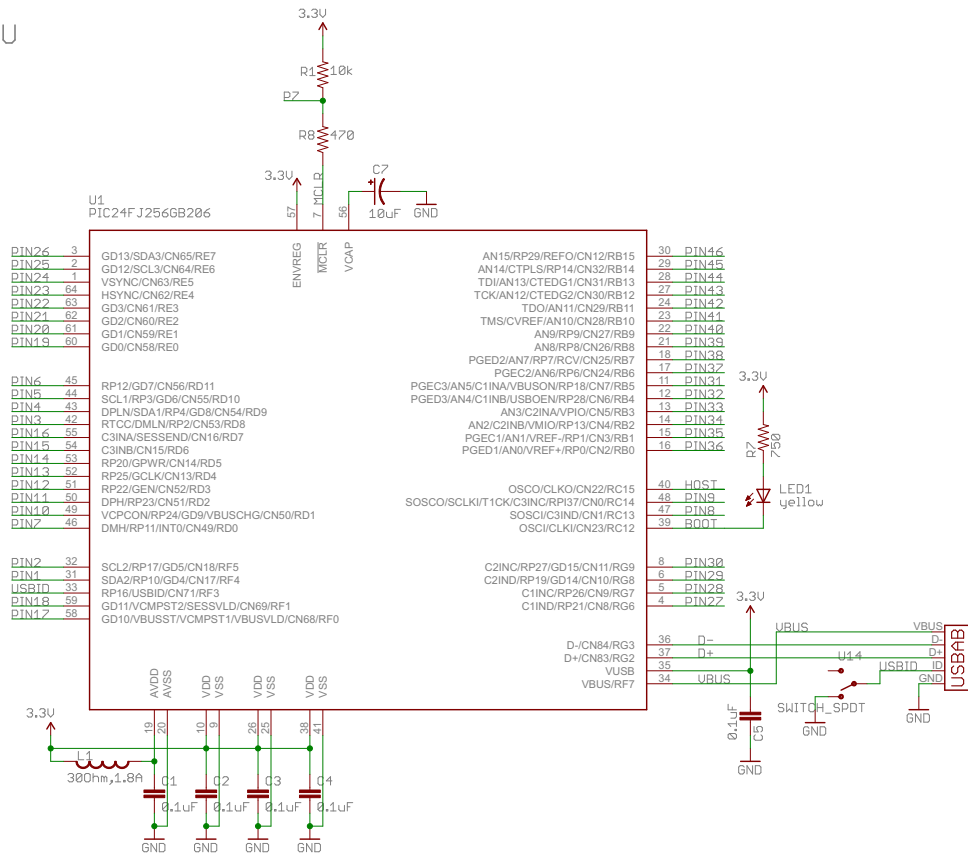


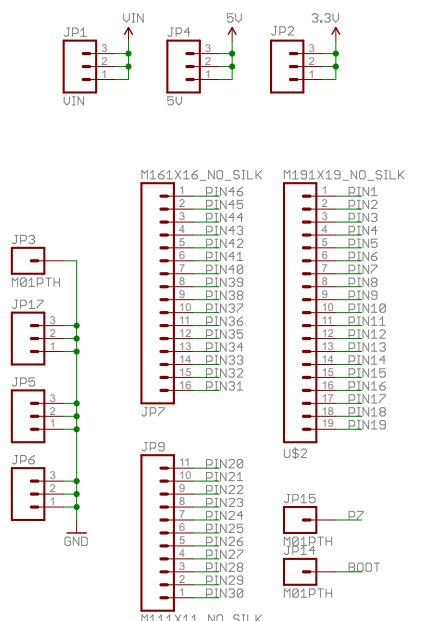
Power Control



MCU



Footprint Pinout



1010 label

Released under the Creative Commons Attribution Share-Alike 3.0 License
<http://creativecommons.org/licenses/by-sa/3.0>
 Design by: Ytai Ben-tsivi
 revised by: A.Kleiss

Title	I010-0TG-v20
Version:	
Date	11/28/2012 10:33:13 AM
Drawn By:	1/1