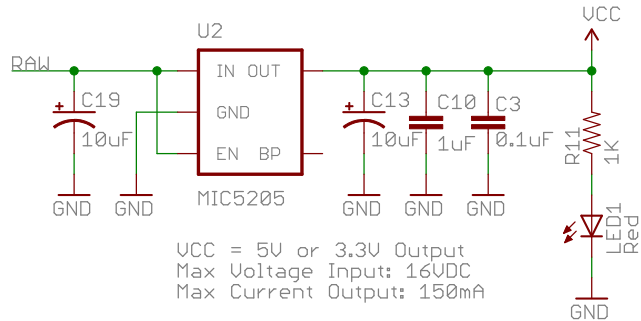


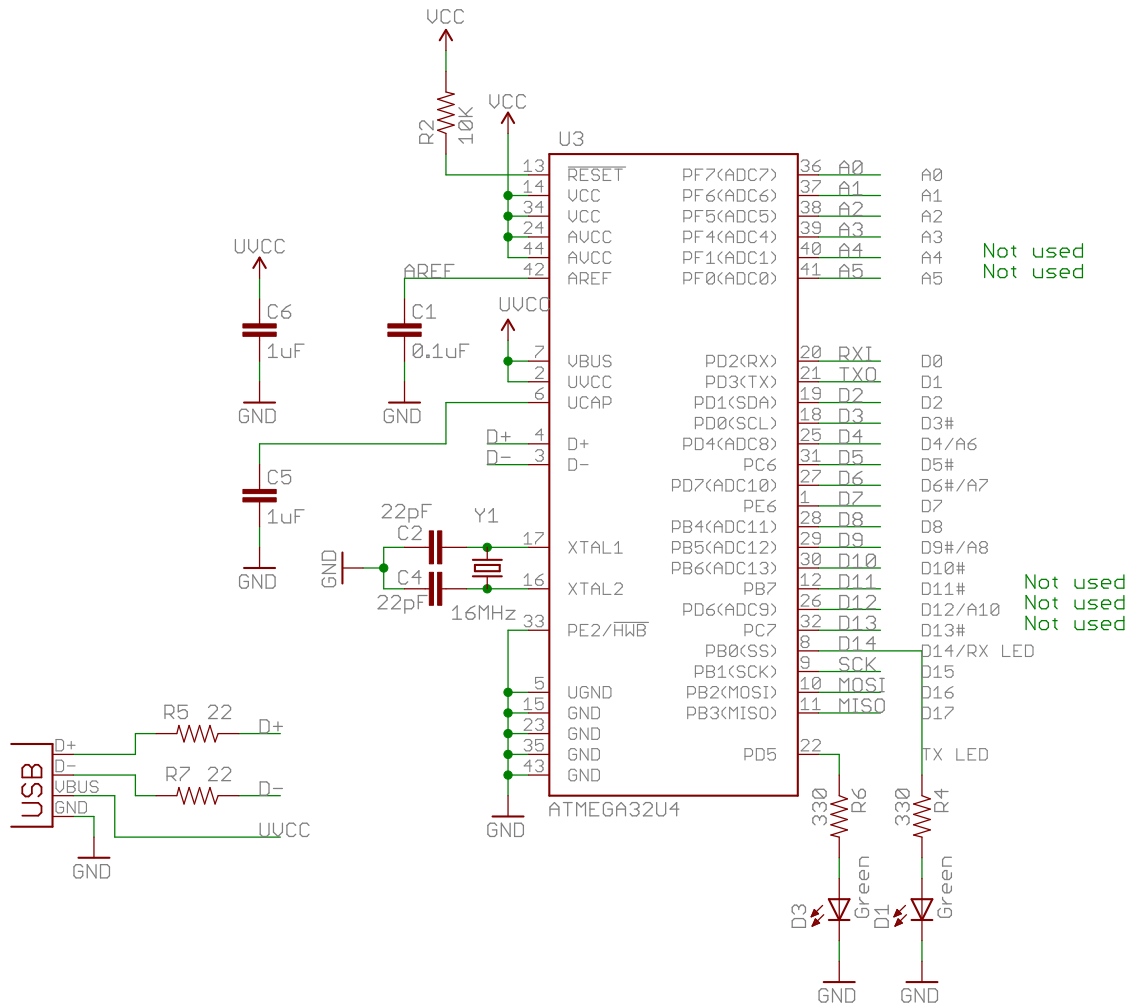
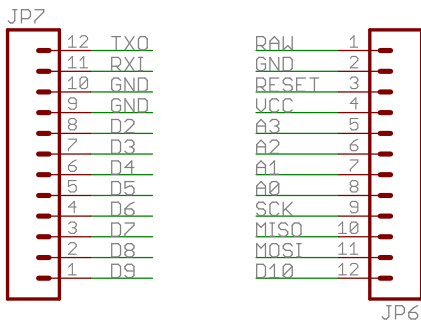


Cut this jumper if powering the board with more than 5.5V



UCC = 5V or 3.3V Output  
Max Voltage Input: 16VDC  
Max Current Output: 150mA

Board is marked with combination of resonator frequency and regulator voltage.



Not used  
Not used

Not used  
Not used  
Not used

Released under the Creative Commons Attribution Share-Alike 3.0 License  
<http://creativecommons.org/licenses/by-sa/3.0>

Design by:  
Original Arduino Mini Design by Team Arduino  
Arduino Pro Mini Design by Spark Fun Electronics  
Pro Micro Design by Spark Fun Electronics



⊗	
⊗	
TITLE: Pro-Micro-v10	SFE
Document Number:	REV:
Date: 11/3/2011 3:50:39 PM	Sheet: 1/1