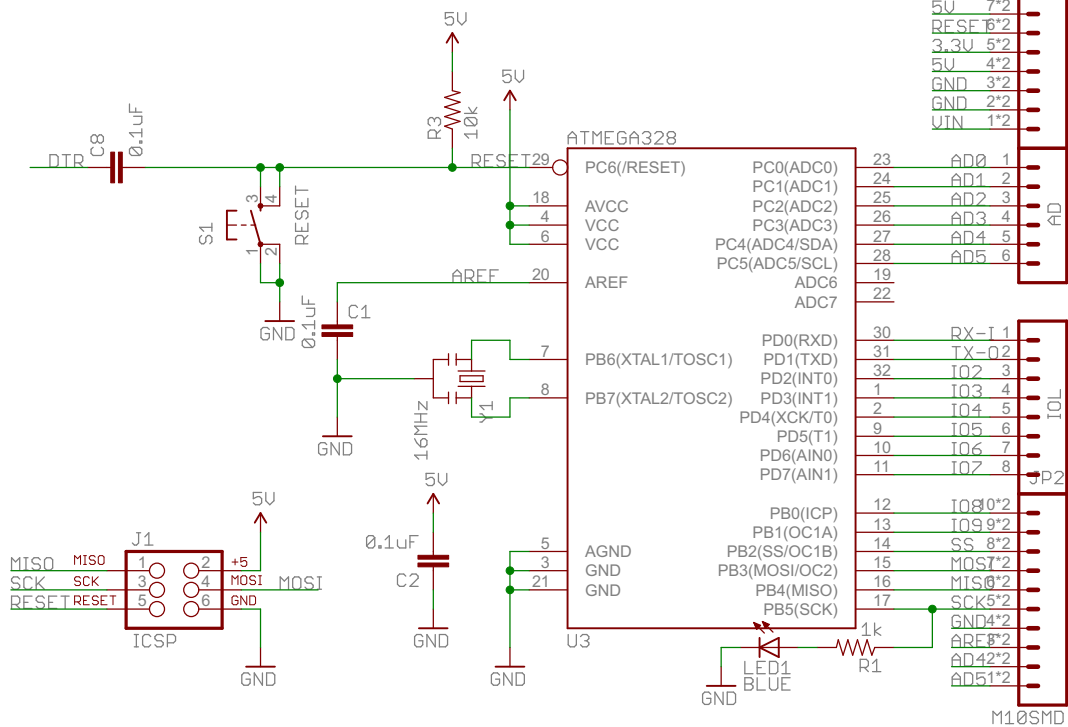
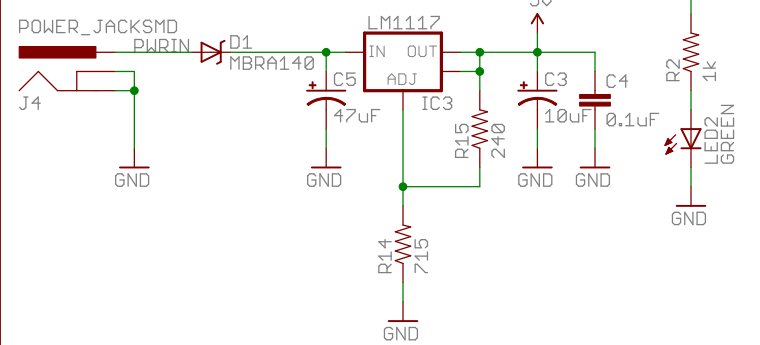


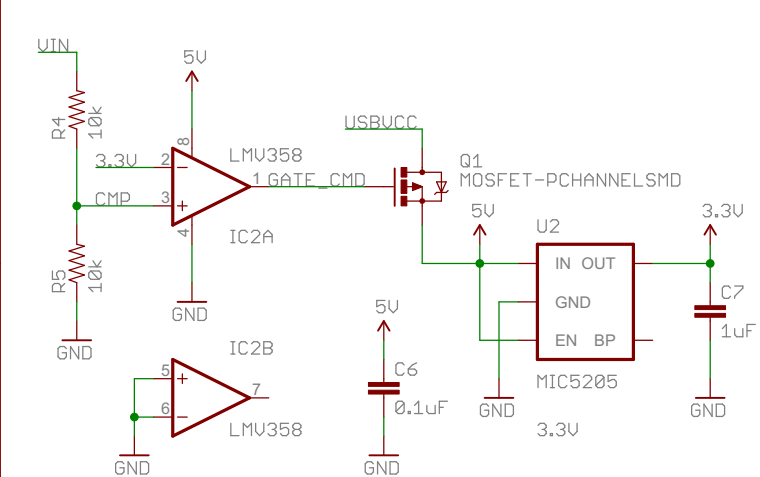
ATmega328



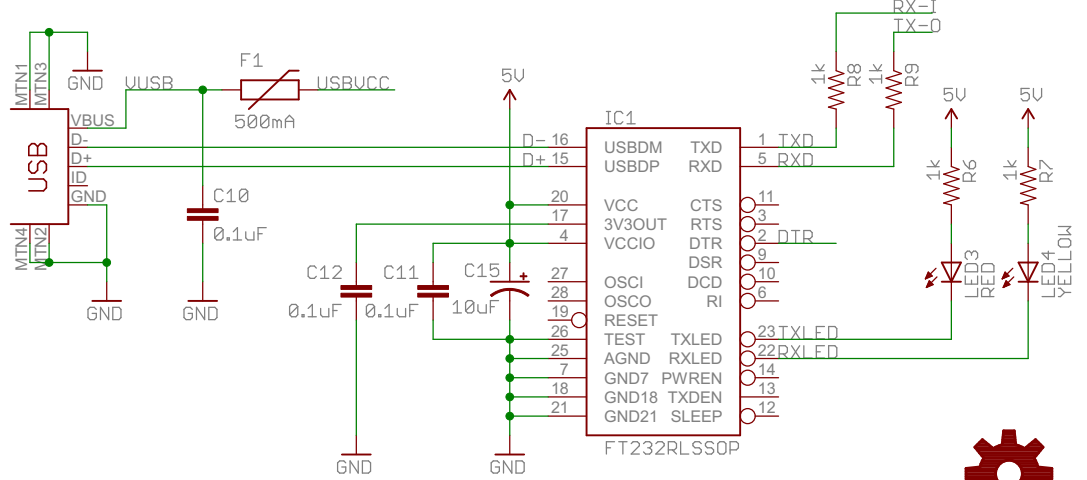
5V / Vin Regulator



Comparator / 3.3V Regulator



FT232RL (USB-to-Serial Converter)



Released under the Creative Commons Attribution Share-Alike 3.0 License
<http://creativecommons.org/licenses/by-sa/3.0>
 Design by:
 M.Banzi, D.Cuartielles, T.Igoe, G.Martino, D.Mellis, J.Lindblom



TITLE: RedBoard-v06

SFE

Document Number:

REV:

Date: 11/14/2012 11:39:07 AM

Sheet: 1/1

