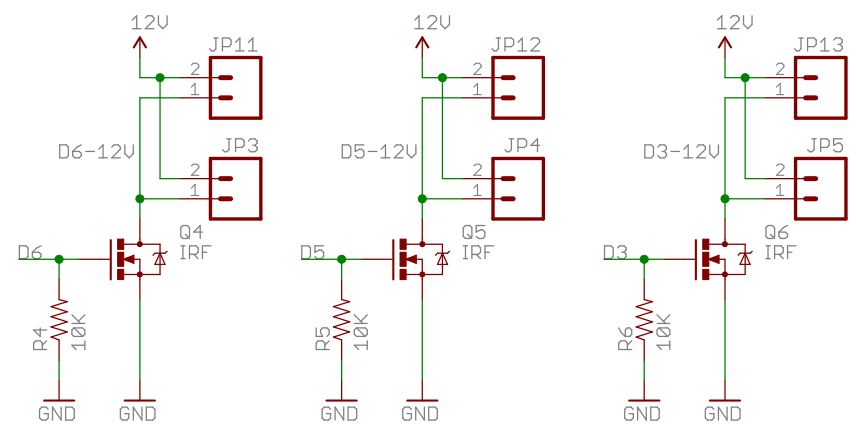
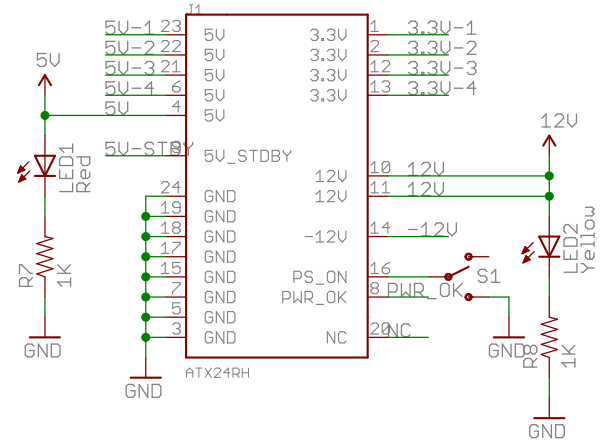
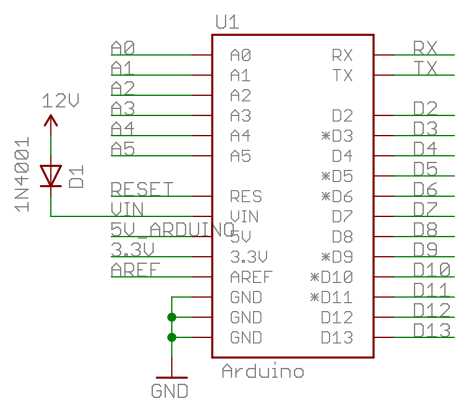


60V / 20A N-Channel MOSFET
5V Control



60V / 20A N-Channel MOSFET
12V Control



TITLE: PowerDriver-Shield-v13		SFE
Document Number:		REV:
Date: 5/18/2011 6:10:52 PM	Sheet: 1/1	