

UBW32 MX460

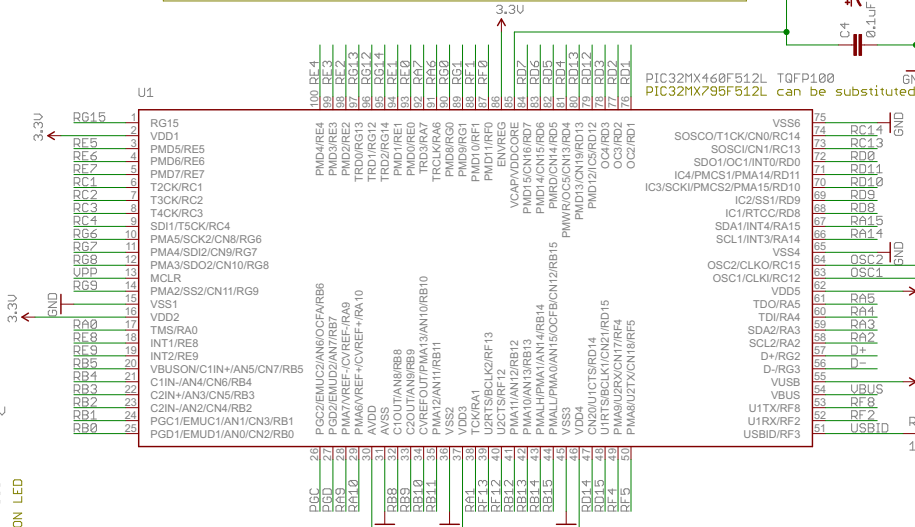
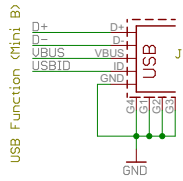
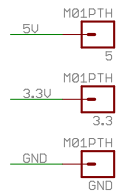
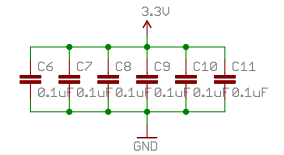
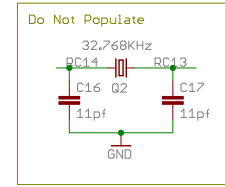
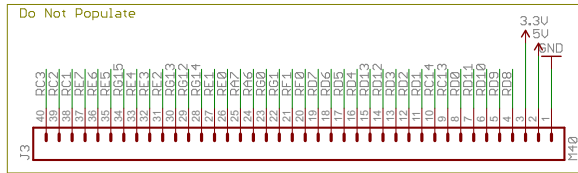
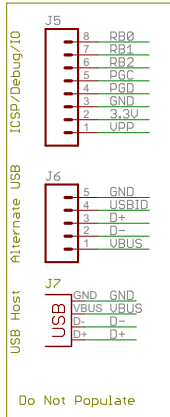
By: Brian Schmalz

WWW.SCHMALZHAUS.COM/UBW32

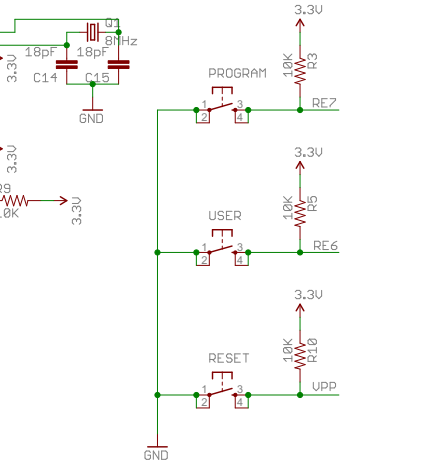
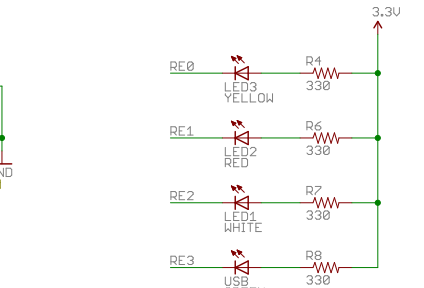
Change Log:
 New for v2.6 01/23/2010 v26 B
 v2.6 White silk screen
 v2.6 Silk screen corrections (PortE)
 v2.6 Removed pull-up resistor pads
 v2.6 Changed to crystal from RC oscillator
 v2.6 Added 32KHz crystal pads
 v2.6 Clarified port labels in schematic
 v2.6 Updated library to use latest SparkFun
 v2.6 D1 now 1A CDBM140-G diode

licensed under Creative Commons v3.0 Attribution licence

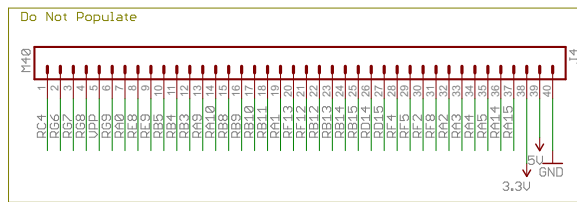
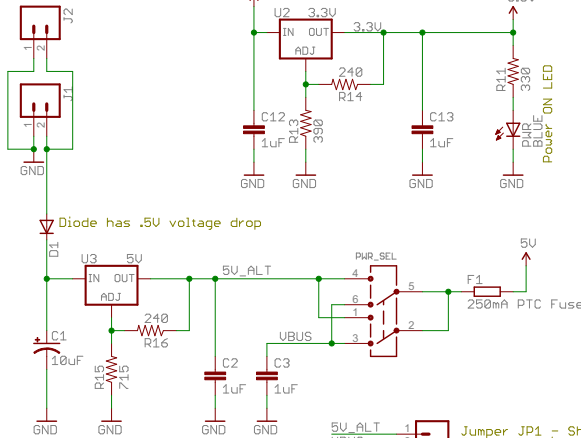
If you like the UBW32, please consider that SchmalzHaus can design a customized version for your specific needs. Contact brian@schmalzhaus.com for more information.



PIC32MX460F512L TQFP100
 PIC32MX795F512L can be substituted



J1/J2 need 7.6 to 15V



Jumper JP1 - Short to apply 5V to VBUS if you want to use USB host functionality

SFE

Title: UBW32_MX460_v262	
Version: 8/17/2012 3:26:40 PM	
Drawn By:	1/1