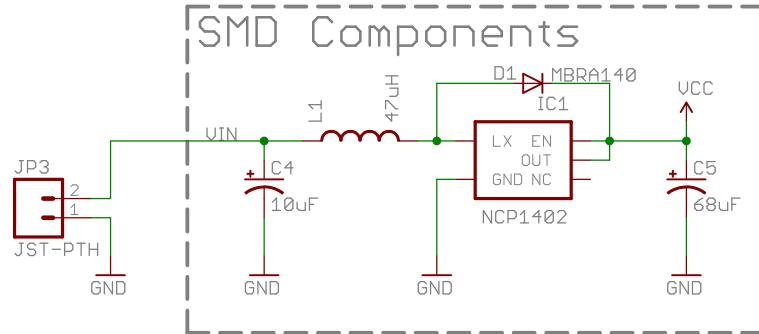
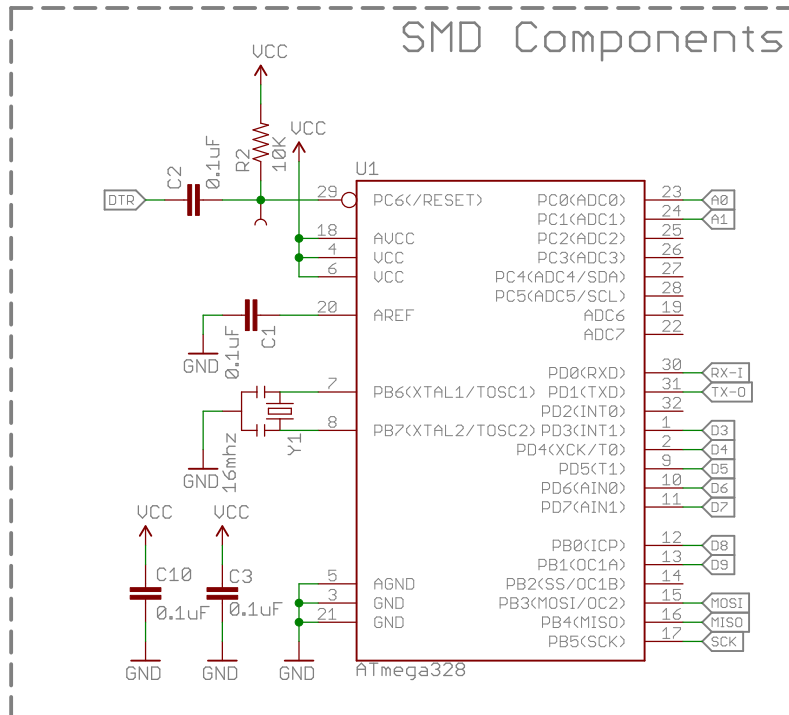


## 5V Boost Circuit



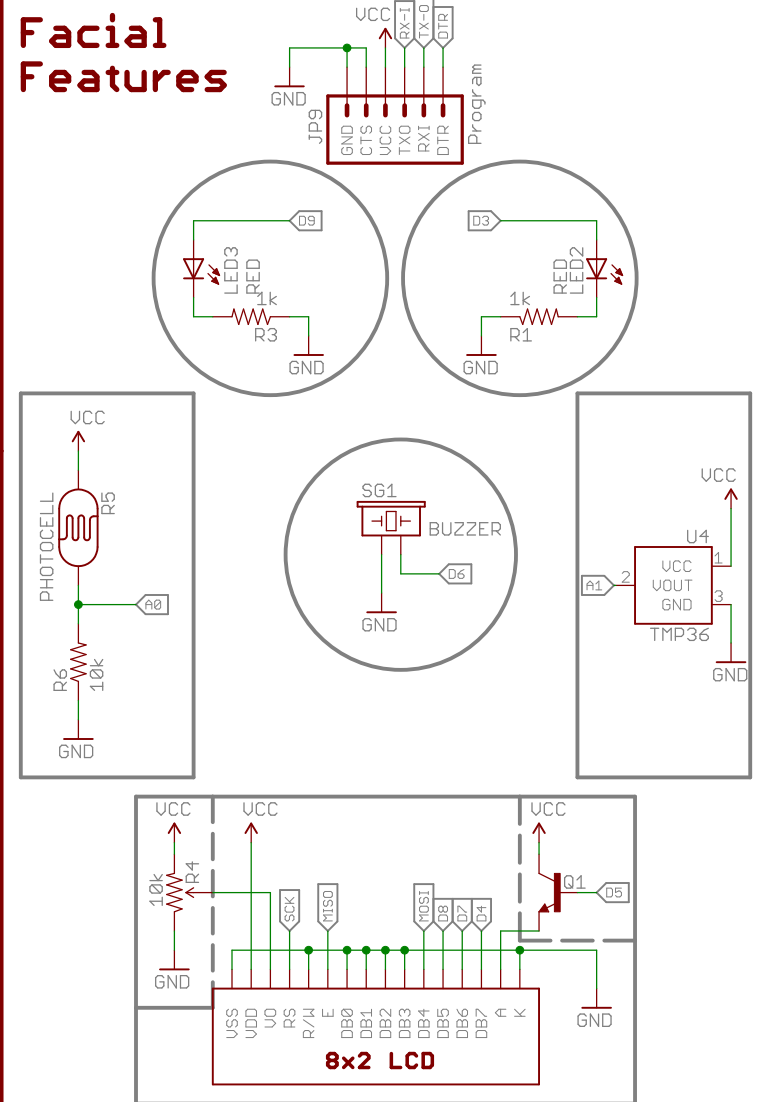
## ATmega328



Released under the Creative Commons Attribution Share-Alike 3.0 License  
<http://creativecommons.org/licenses/by-sa/3.0>  
 Design by: Jim Lindblom

open hardware

## Facial Features



⊗ ⊗		○○○
TITLE: Robot-Face-Kit-v12-PrettySch		SFE
Document Number:		REV:
Date: 6/11/2012 4:16:38 PM	Sheet: 1/1	