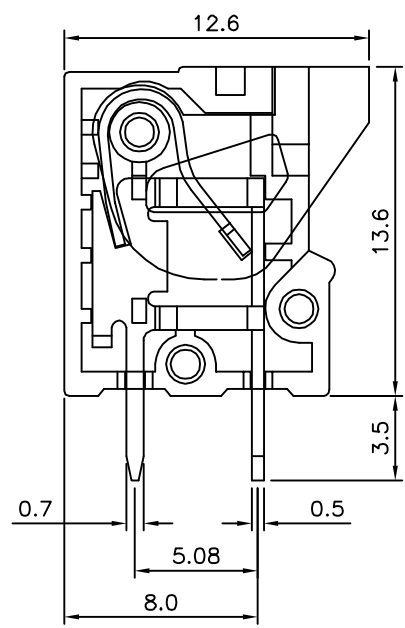
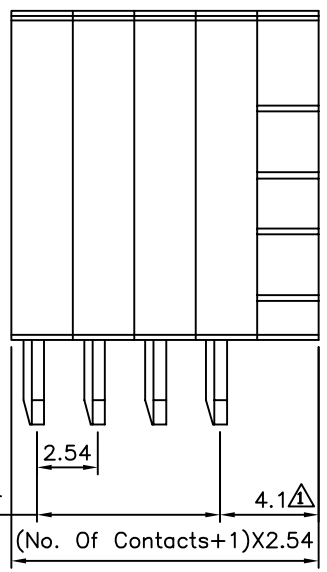


Recommended P.C.B. Layout

△ SPECIFICATION
 Current Rating:2 Amp/Way Max.
 Voltage Rating:150V AC
 Contact Resistance:20 Milliohms Max.
 Insulation Resistance:2000 Megaohms Min.
 Wire Range:20~26 AWG
 Operation Temperature:-40°C~+105°C
 Test Temperature:250°C 5 Seconds Max.
 Contact:Copper Alloy
 Wire Guard:Stainless Steel
 Surface Of Solder Tails:Tin Plated
 Insulator Body(Housing):PA66+30%G.F.(UL94V-0),Green
 Button:PA66(UL94V-0),Orange
 RoHS Compliant



4UCON 元化興業股份有限公司
 4UCON TECHNOLOGY INC.

DRAWING No.		APPROVED BY		UNLESS OTHERWISE SPECIFIED TOLERANCES ARE X. ±0.50 .X ±0.30 .XX ±0.20 ANG. ±1°
19894		MEI		
		CHECKED BY HZF		
		DRAWING BY WSS		
SCALE	NONE	REV.	A1	UNIT mm

NO.	REV.	REVISIONS	CHK	DATE
△ A1		Modify Data	HZF	01/06/2012
△ A0		NEW RELEASE	HZF	05/23/2009