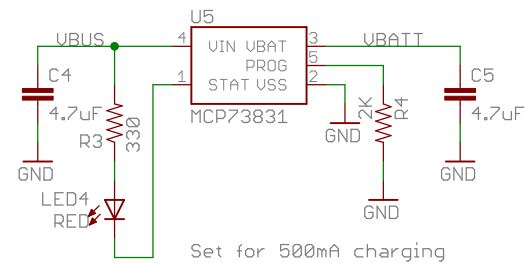
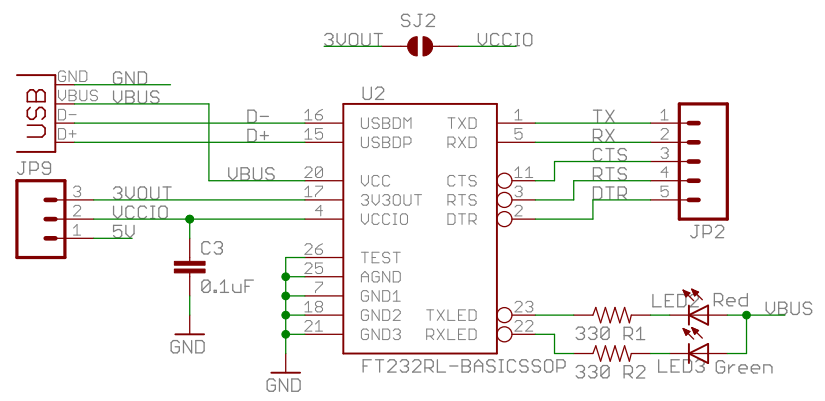
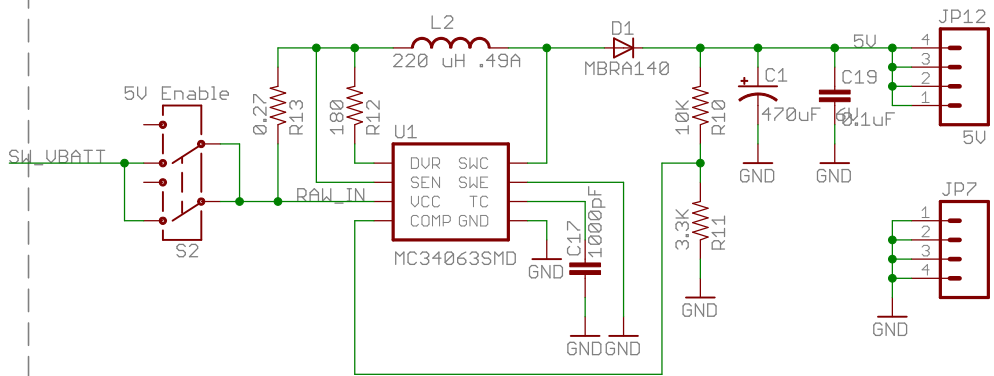
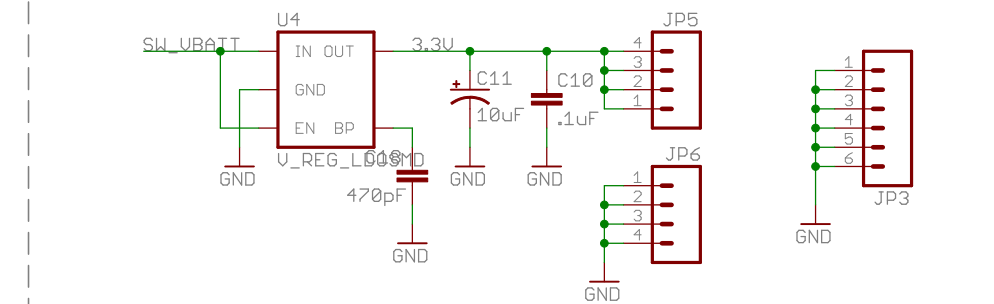
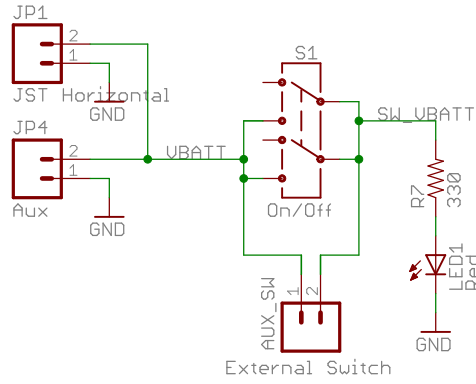




v15 Changes:
 L2 Footprint changed to NPI75C
 Silkscreen text ratios/sizes updated
 Max1555 Charge Circuit changed to use the MCP73831



Set for 500mA charging

			
TITLE: ProtoBoard-USB-PTH-v15			SFE
Document Number:			REV:
Date: not saved!			Sheet: 1/1