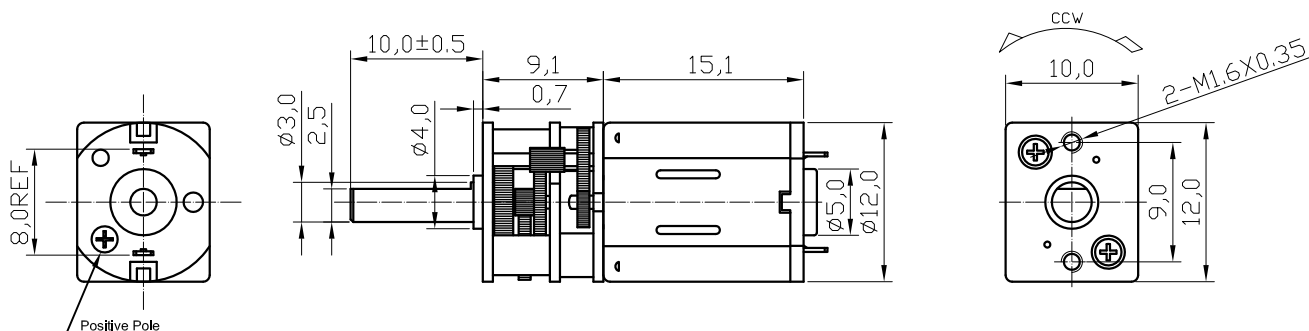


### KM-12FN20-30-06430

# OUTLINE



#### 1. STANDARD OPERATING CONDITIONS:

- 1.1 Operating Voltage: DC 2.0~6.0V
- 1.2 Operating Temperature: -10~+60° C
- 1.3 Operating Humidity: 5~95%RH
- 1.4 Direction of Rotation:  
Counter-clockwise when viewing motor output side with positive(voltage) applied to positive(red)terminal.

#### 2. MEASURING CONDITIONS:

- 2.1 Voltage: DC 6V
- 2.2 Environmental temperature: 5° C~35° C
- 2.3 Environmental humidity: 40%~85%RH
- 2.4 Motor Position: Motor to be held with shaft horizontally.

#### 3. ELECTRICAL CHARACTERISTICS

(At initial stage after 30 seconds run-in)

##### 3.1 Rated

- 3.1.1 Rated Voltage: DC 6V
- 3.1.2 Rated Load: 30g.cm

##### 3.2 No Load

- 3.2.1 No Load Speed: 430 ± 10%rpm
- 3.2.2 No load Current: ≤ 32mA

##### 3.3 On Load

- 3.3.1 Rated Current: ≤ 100mA
- 3.3.2 Rated Speed: 370 ± 10%rpm

##### 3.4 Start

- 3.4.1 Start Torque: ≥ 180 g.cm
- 3.4.2 Start Voltage: ≤ 1.2V

##### 3.5 Stall

Stall Current: ≤ 500mA Insulation Resistance ≥ 1MΩ with DC100V

#### 4. MECHANICAL CHARACTERISTICS:

- 4.1 End Play: 0.05~0.45mm
- 4.2 Shaft radial runout: less than 0.02mm, 3.00mm away from the end
- 4.3 Weight: ~10g
- 4.4 Noise: ≤ 50dB (Distance: 10cm, Background noise ≤ 26dB)
- 4.5 Axial thrust ≤ 3kgf
- 4.6 Perpendicularity 90 ± 1°
- 4.7 Dimension drawing: See <OUTLINE>

#### 5. LIFETIME TEST:

After operating continuously for 50 hours on the condition of 30g.cm with rated voltage, RPM : within ± 30% of initial value, Current : within ± 30% of initial value and the motor with no obvious anomaly

Customer Approval:

Tested By:	朱卫孙	Checked By:	陈彦平	Approved By:	刘国友
------------	-----	-------------	-----	--------------	-----