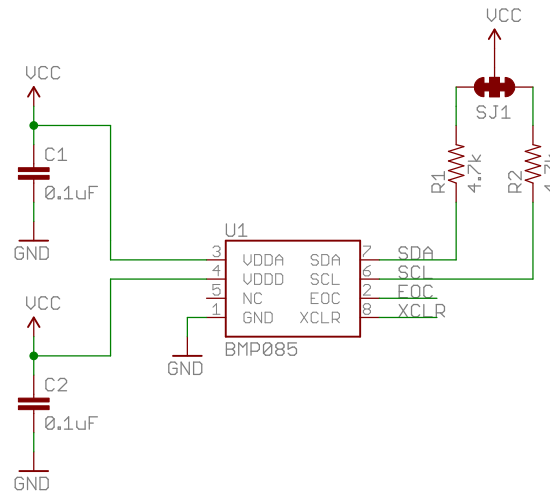
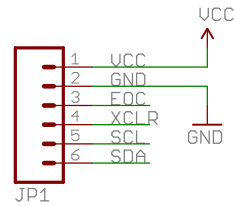


UCC RANGE: 1.8V TO 3.6V



CLEAR BOTH SIDES OF SJ1
TO DISABLE I2C PULLUP RESISTORS

Released under the Creative Commons Attribution Share-Alike 3.0 License  <http://creativecommons.org/licenses/by-sa/3.0>

SFE	SFE
-----	-----

TITLE: BMP085 Breakout-v14

Design by:

T Holmberg, M Grusin

REV:
1.4

Date: 5/14/2012 1:39:38 PM

Sheet: 1/1