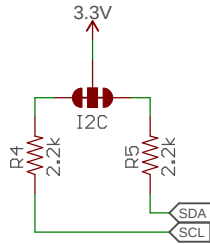
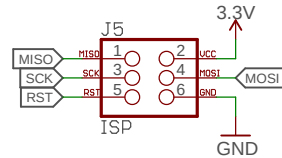


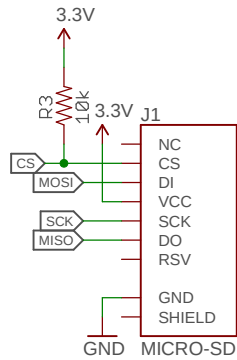
### I2C Pull-up



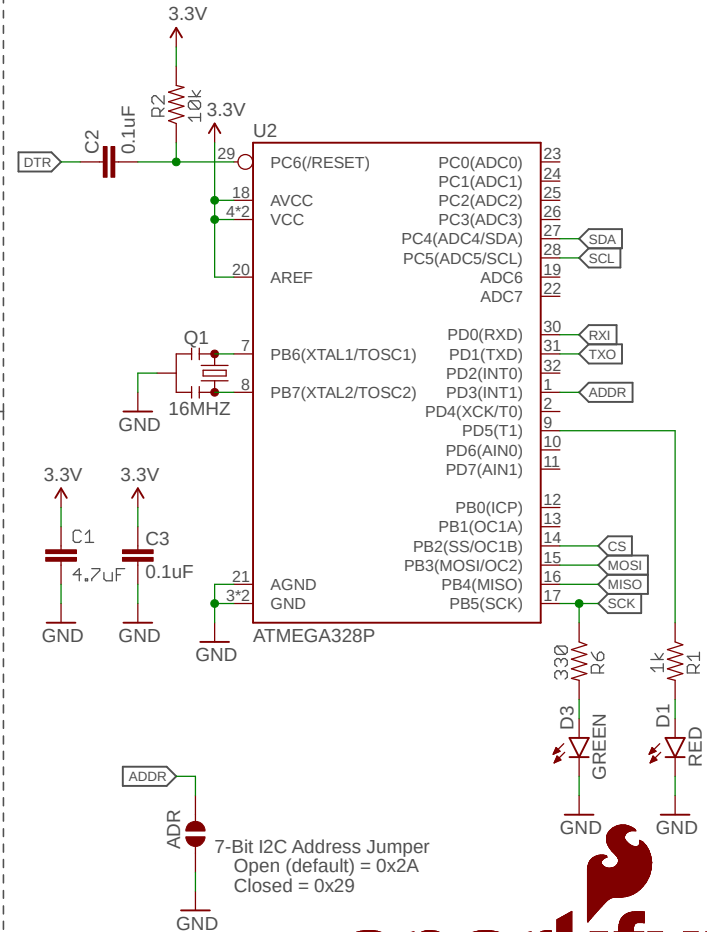
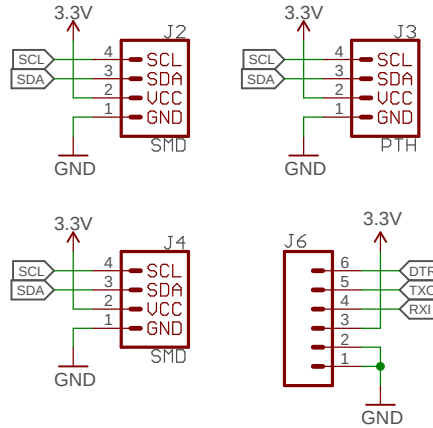
### ISP Header



### MicroSD Socket



### Communication



This board is meant to be used with Qwiic.  
The boot header is meant for Serial Basic connection for programming.



Released under the Creative Commons Attribution Share-Alike 4.0 License  
<https://creativecommons.org/licenses/by-sa/4.0/>

TITLE: Qwiic-OpenLog

Design by: N. Seidle

REV:  
V12

Date: 2/6/2019 7:37 AM

Sheet: 1/1