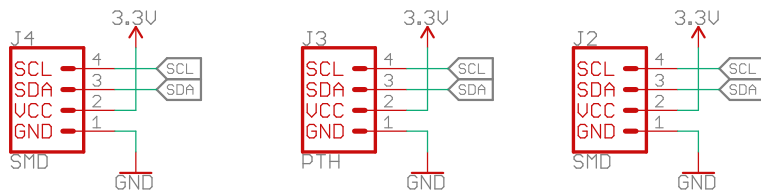
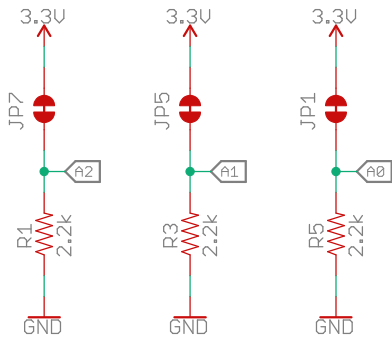


I²C

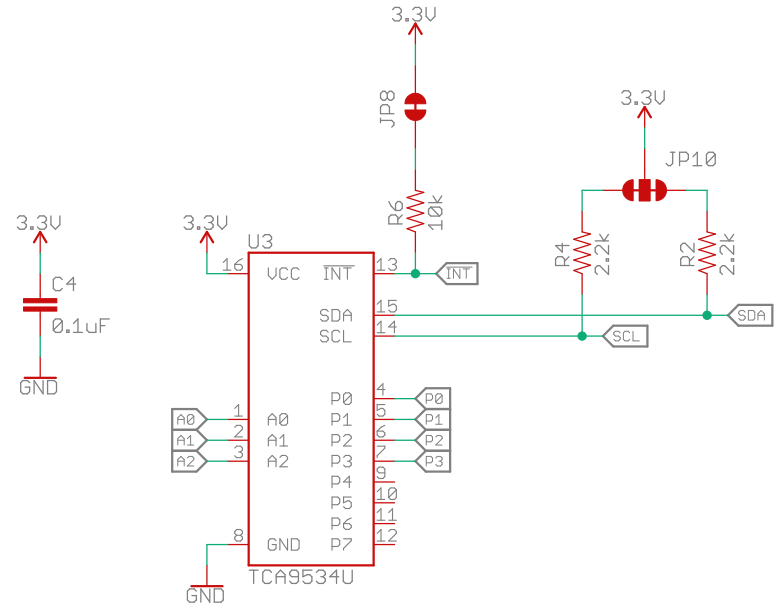


Address Bit Selection

Default address: 0x27
When no jumpers are cut



A2	A1	A0	Address
0	0	0	0x20
0	0	1	0x21
0	1	0	0x22
0	1	1	0x23
1	0	0	0x24
1	0	1	0x25
1	1	0	0x26
1	1	1	0x27



Released under the Creative Commons Attribution Share-Alike 4.0 License
<https://creativecommons.org/licenses/by-sa/4.0/>



TITLE: Qwiic_GPIO

Design by: Kevin Kuwata

REV:
X02

Date: 2/19/2020 10:07 AM

Sheet: 1/1