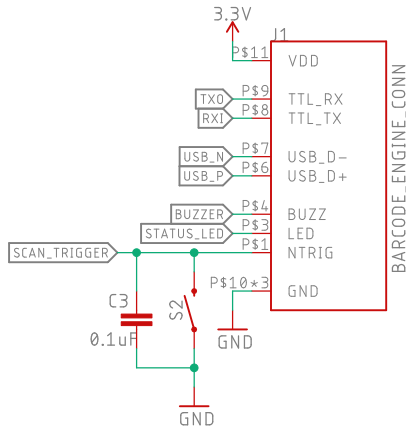
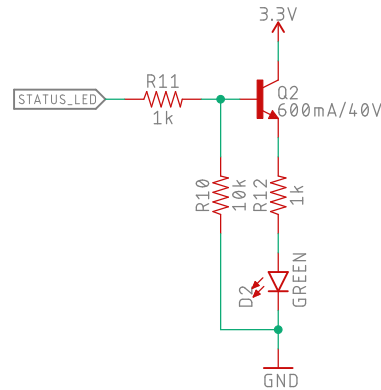


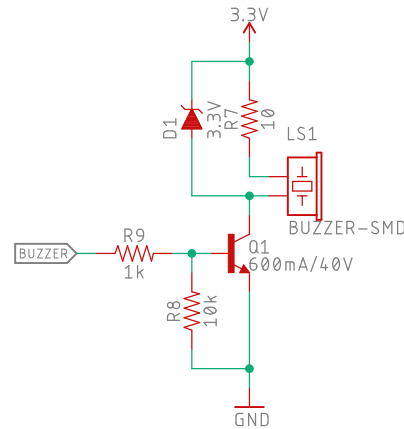
2D Barcode Reader



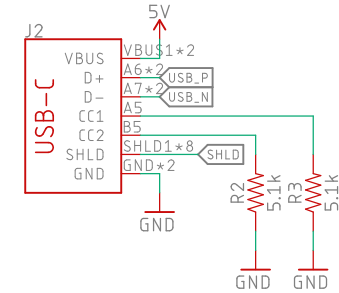
LED Driver



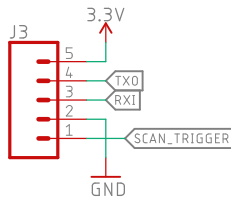
Buzzer Driver



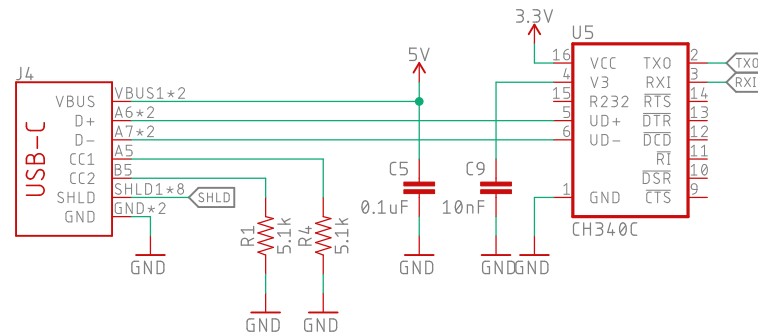
USB-C HID



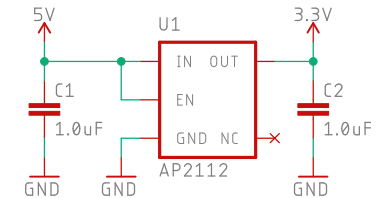
Pin Header



USB to Serial



3.3V Regulation



Released under the Creative Commons Attribution Share-Alike 4.0 License
<https://creativecommons.org/licenses/by-sa/4.0/>



TITLE: 2DBarcodeScanner

Design by: Nobody

REV:
>REV

Date: 12/12/2019 3:39 PM

Sheet: 1/1