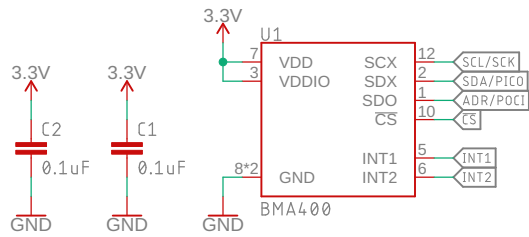
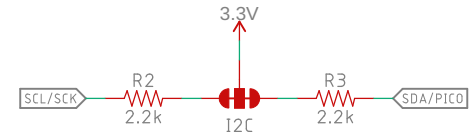


### Accelerometer – BMA400

Voltage Range  
 VDD: 1.72V – 3.6V  
 VDDIO: 1.2V – 3.6V



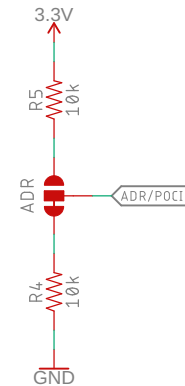
### I2C Pullups



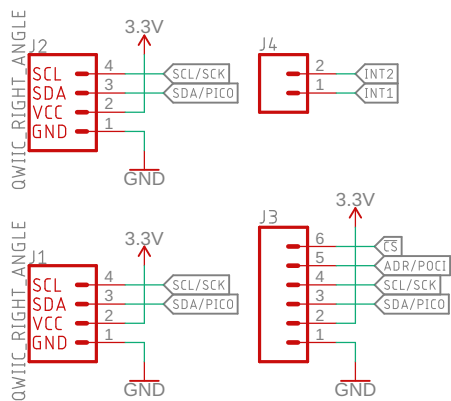
Cut traces to disconnect I2C pullup resistors

### I2C Address Selection

I2C Address	
3V3	0x15
GND	0x14 (Default)
Open	SPI



### Connectors



### Power LED



Cut trace to disconnect power LED

### CS Pullup



Cut trace to disconnect CS pullup



Released under the Creative Commons Attribution Share-Alike 4.0 License  
<https://creativecommons.org/licenses/by-sa/4.0/>



TITLE: SparkFun\_Qwiic\_Accelerometer\_BMA400

Design by: Dryw Wade

REV: v10

Date: 10/28/2022 1:17 PM

Sheet: 1/1