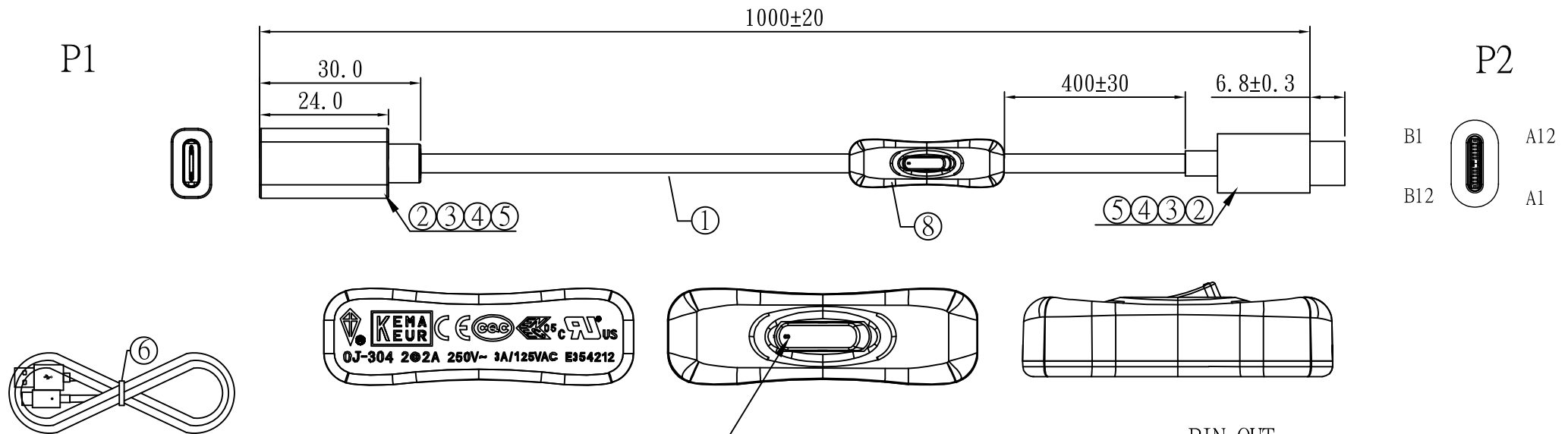


REV	ECRN	DATE
1	NEW PRODUCTION	20240110



Pay attention to the direction of the switch, with the tabs facing the TYPE-C female end and the bottom cover in the same direction.

PIN OUT	
P1	P2
VBUS(A4+A9+B4+B9) — RED	VBUS(A4+A9+B4+B9)
A5(CC1) — YELLOW	A5(CC1)
B5(CC2) — BLUE	B5(CC2)
A6+B6 — GREEN	A6+B6
A7+B7 — WHITE	A7+B7
GND(A1+A12+B1+B12) — BLACK	GND(A1+A12+B1+B12)
SHIELD	SHIELD

- NOTES:
- 1.ELECTRICALTTEST:100%OPEN,SHORT&MIS WIRE TEST.
 - 2.CONTACT RESISTANCE:2 OHM MAX,
 - 3.INSULATOR RESISTANCE:5M OHM MIN.
 - 4.MUST BE ROHS COMPLIANT.

NO.	PART NO	ITEM	DESCRIPTION	Q'TY	UNIT
⑧	J0255	SWITCH	304 SWITCH COLOR:BLACK	1	PCS
⑦	B0568	CONNECTOR	USB2.0 TYPE C M SHELL PLATED NICKEL PLASTIC:BLACK 56KΩ	1	PCS
⑥	I0002	TIE	MINI TIE BLACK L=100MM	1	PCS
⑤	J0007	TIN WIRE	OD:0.8MM	1.5	G
④	C0001	MOLDING	PE	4.5	G
③	C0002	MOLDING	PVC 45P BLACK	6.5	G
②	B0715	CONNECTOR	TYPE C F PIN GOLDDED SHELL PLATED NICKEL PLASTIC:BLACK	1	PCS
①	A0977	CABLE	NO-UL 30AWG(11/0.08TC+250D)*4C+19AWG(11/0.08TC+250D)*1C+D(78/0.08TC+250D)+AL+B(64/0.08TC) JACKET:BLACK TPE 55A OD:4.2MM	1	PCS

RoHS COMPLIANT			东莞市博帆科技有限公司 Dongguan Bofan Technology Co., Ltd. TEL:076938835098/38835095 FAX:076938835091			
DRAWN BY	刘骏驰	20230110	比例: FREE	TITLE: TYPE C M TO F+304 SWITCH		
CHECKED BY			单位: mm	SUPPLIER`S ITEM: 9.00ACCA4126.000R		
APPROVED BY				CUSTOMER:		
				CUSTOMER`S ITEM:		
			DRAWING NO.	ACCA-4126	DATE	2024.01.10