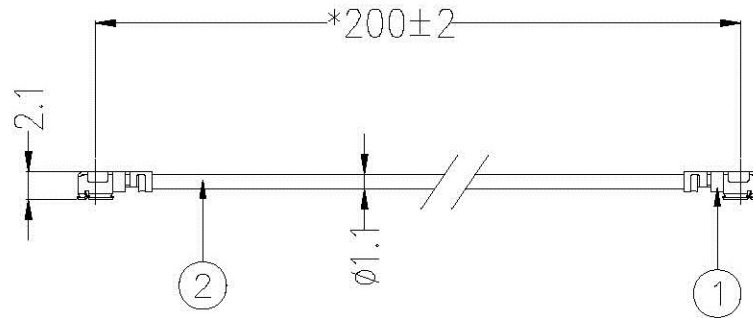


SIGN	DATE	DESCRIPTION	APPROVER
△			
△			
△			



NOTES:

1. MATERIAL AND FINISH: SEE ITEM BLOCK;
2. ELECTRICAL SPECIFICATION:
- 2.1. NORMAL IMPEDANCE: 50Ω;
3. "(\*)" MEANS IMPORTANCE DIMENSION.

2	R-CB-113B	Coaxial Cable	SHOWA-O.D. 1.13mm Black	1
1	CI-113	Connector	MHF1	1
No.	Part Number	Name	Material	Q'ty

## Dongguan Penglian Electronics

TITLE: CABLE

PART NO.: IX1-13B200-IX1

DWG NAME: IX1-13B200-IX1.DWG

APPROVED BY

CHECKED BY

DESIGNED BY



Tolerance

jeff  
2018.11.28

leon  
2018.11.28

YD  
2018.11.28

UNITS: mm  
SCALE: 1/1  
REVISION: A

X.X ±0.20  
X.XX ±0.10  
X° ±3°