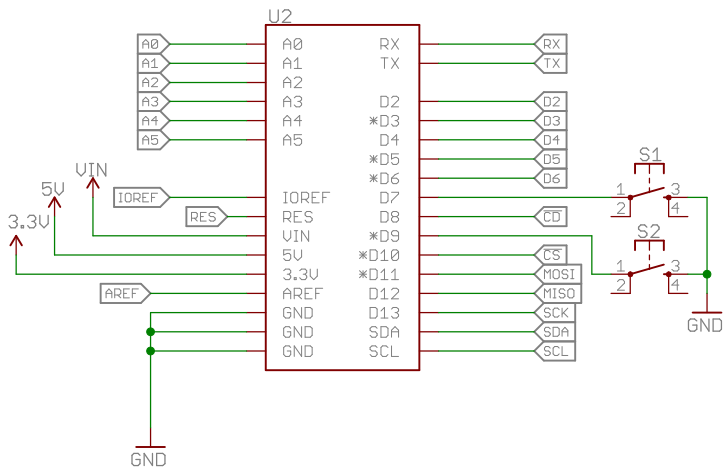
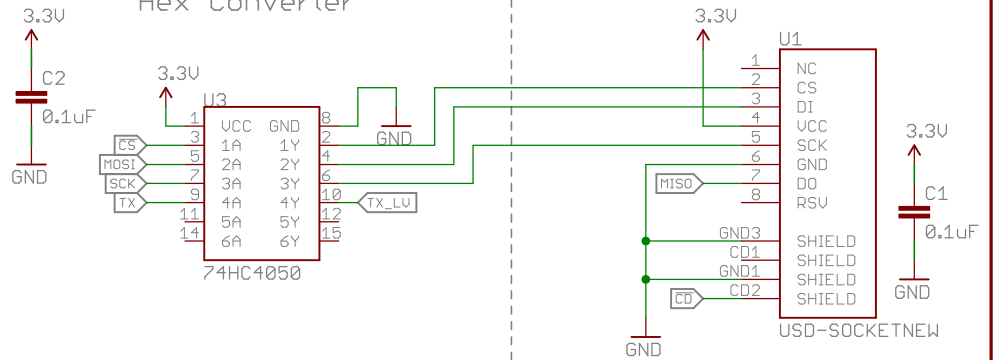


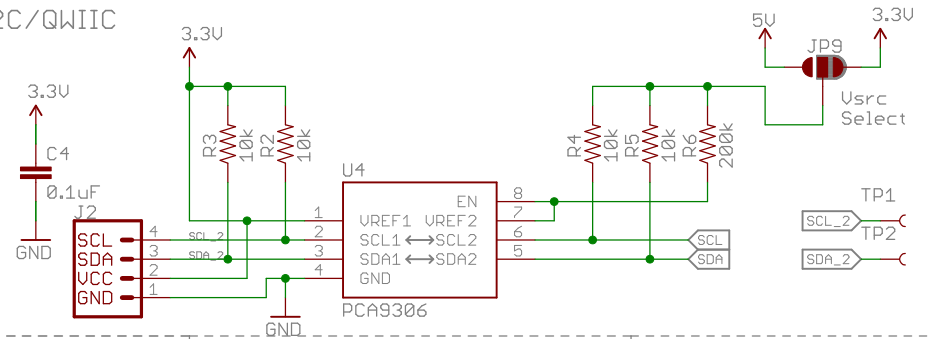
Arduino Shield



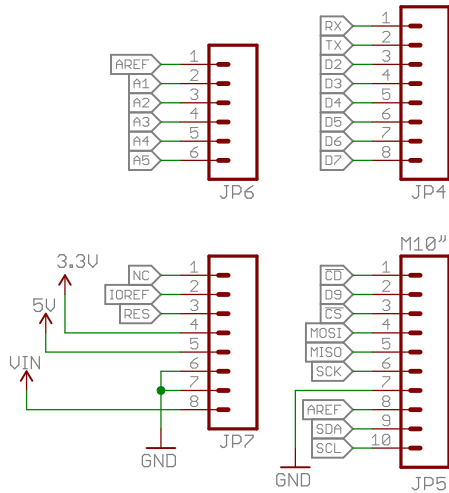
Hex Converter



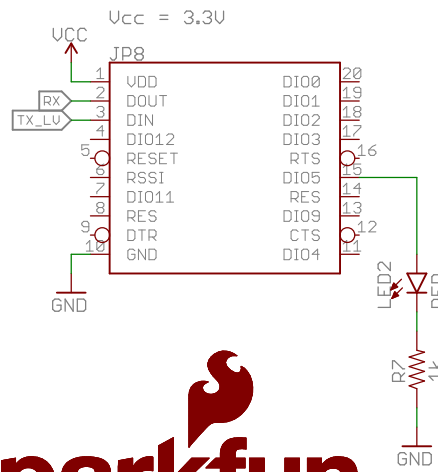
I2C/QWIIC



Arduino Headers Breakout

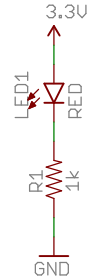


XBee



Box intentionally empty

Power Indicator



Released under the Creative Commons Attribution Share-Alike 4.0 License
<https://creativecommons.org/licenses/by-sa/4.0/>



TITLE: Pioneer_IoT_Add-On_Shield **open hardware**

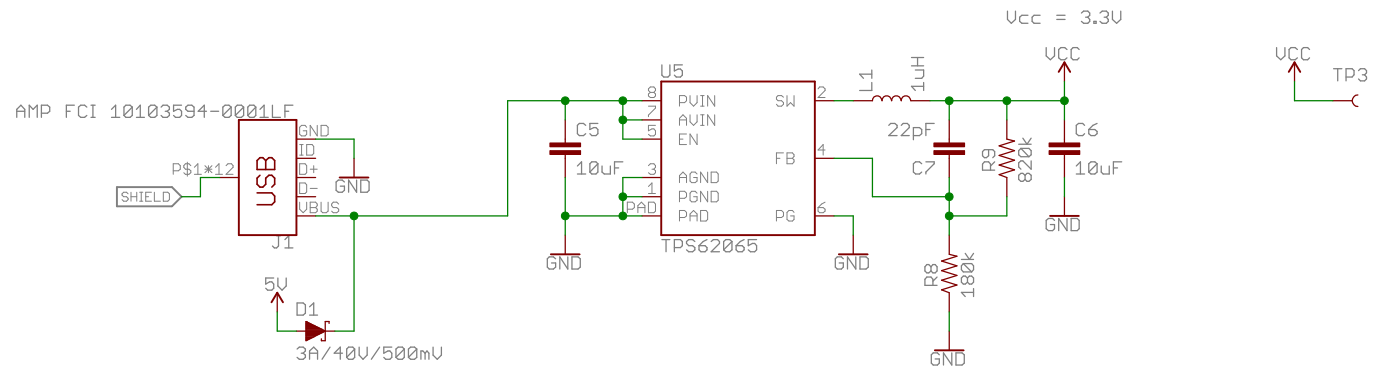
Design by: Mike Hord

REV:
10

Date: 1/8/2018 1:46 PM

Sheet: 1/2

Power Regulator



Released under the Creative Commons Attribution Share-Alike 4.0 License
<https://creativecommons.org/licenses/by-sa/4.0/>

TITLE: Pioneer_IoT_Add-On_Shield

Design by: Mike Hord

REV: 10

Date: 1/8/2018 1:46 PM

Sheet: 2/2