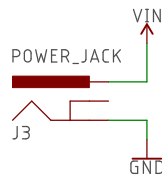
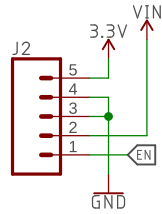
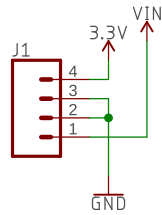
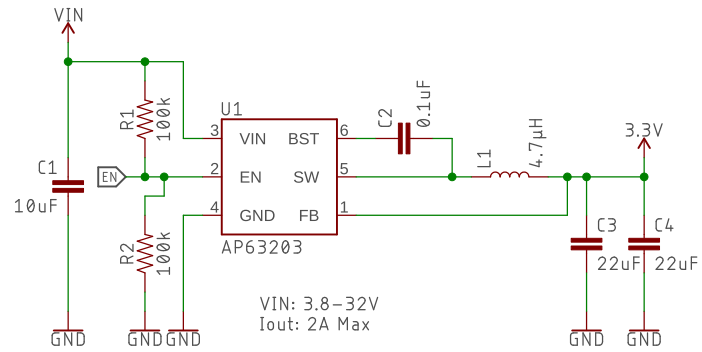


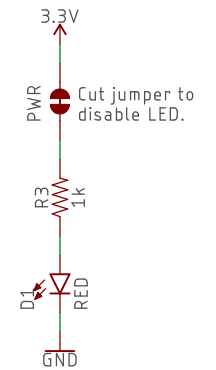
Connectors



Buck Regulator



Power LED



Special Instructions

Released under the Creative Commons Attribution Share-Alike 4.0 License
<https://creativecommons.org/licenses/by-sa/4.0/>



TITLE: SparkFun Buck Regulator – AP63203

Design by: Alex Wende

REV:
v10

Date: 6/23/2021 11:35 AM

Sheet: 1/1

