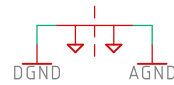
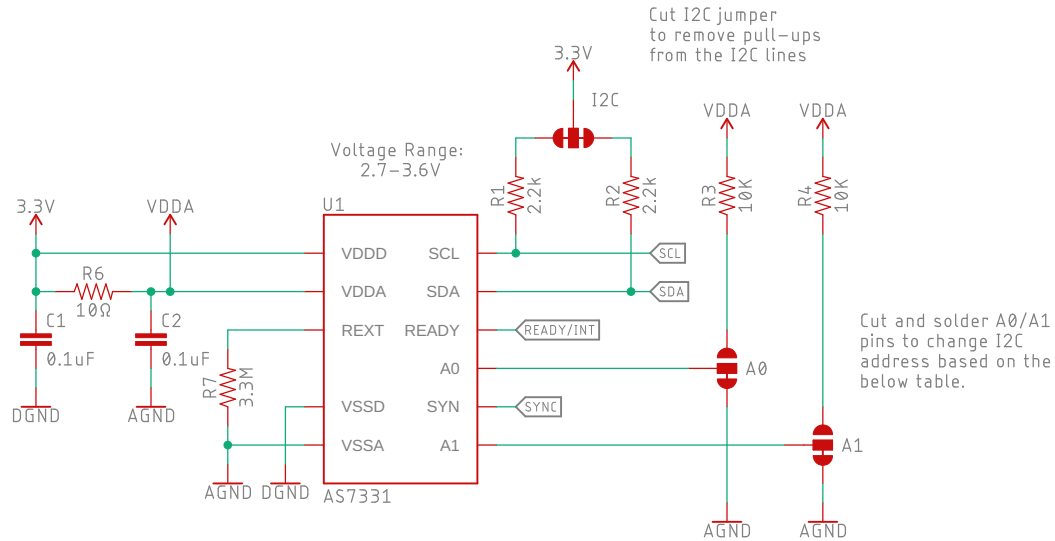
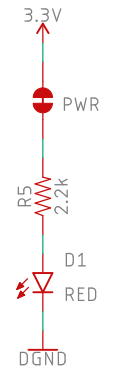


UV A/B/C Sensor



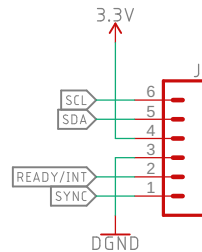
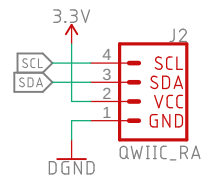
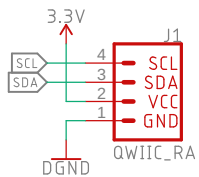
A1	A0	7-bit Address
GND	GND	0x74 (default)
GND	VDD	0x75
VDD	GND	0x76
VDD	VDD	0x77

Power LED



Cut PWR trace to disable power LED.

Connectors



sparkfun

open hardware
QWIIIC

Released under the Creative Commons Attribution Share-Alike 4.0 License
<https://creativecommons.org/licenses/by-sa/4.0/>



TITLE: SparkFun_Qwiic_UV_Sensor_AS7331

Design by: Alex Brudner

REV:
v10

Date: 11/8/2023 4:40 PM

Sheet: 1/1