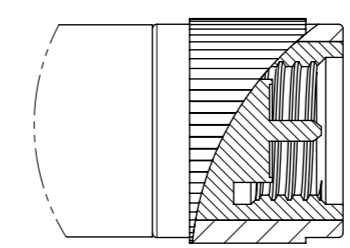
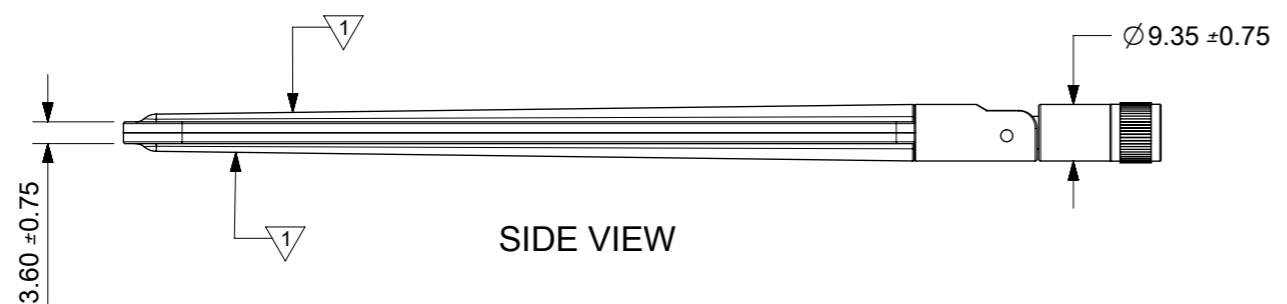
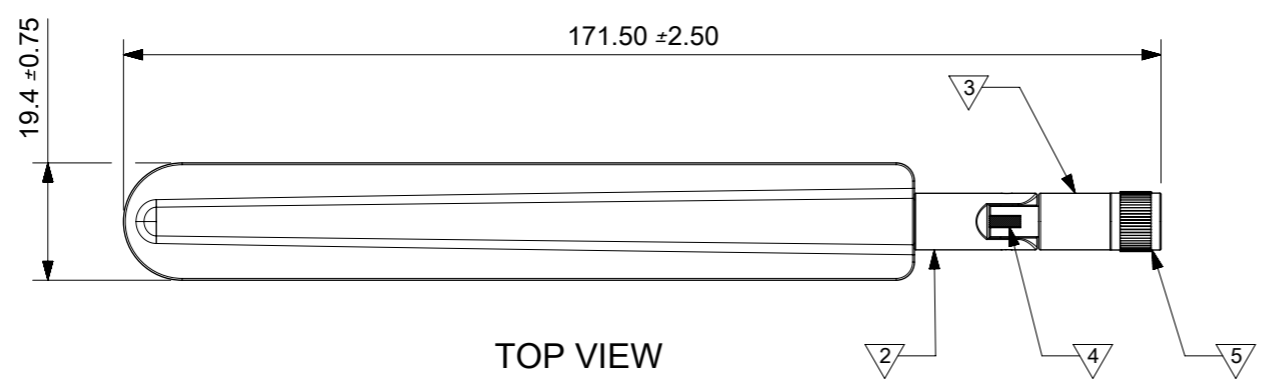
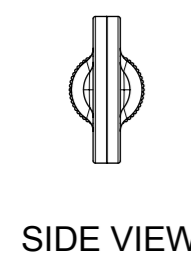
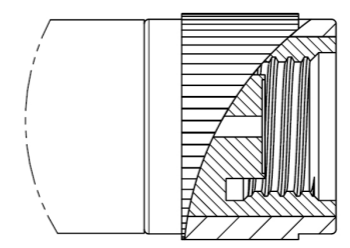
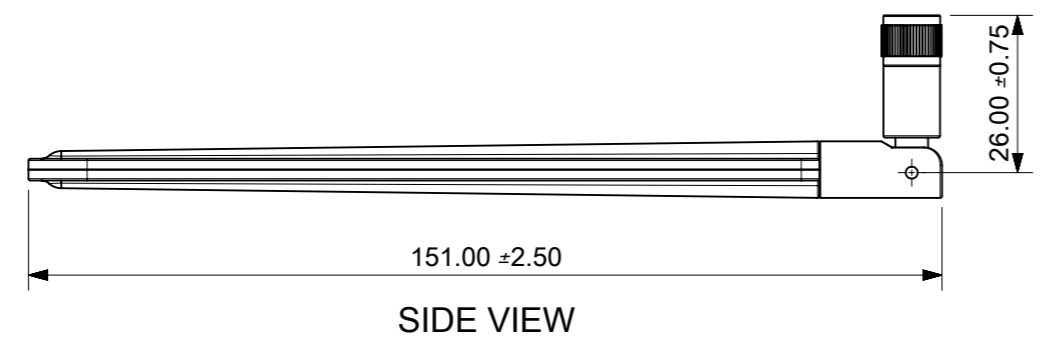


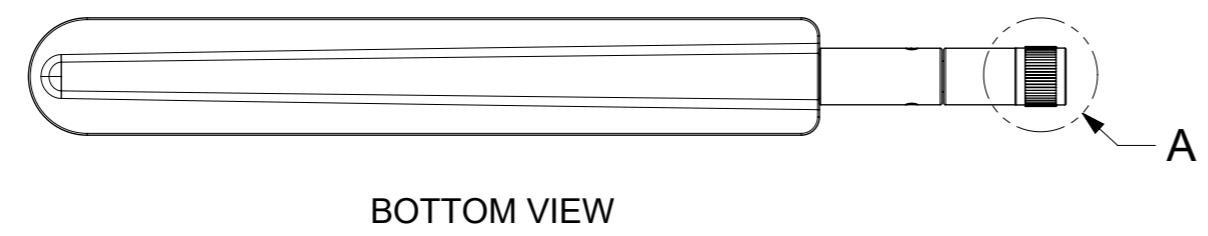
REV	DATE	DESCRIPTION
A	2019/09/03	NEW RELEASE



DETAIL A SCALE 3:1
CONNECTOR:SMA-J
(MALE PIN)



DETAIL A SCALE 3:1
CONNECTOR:RP-SMA-J
(FEMALE SOCKET)



DESCRIPTION		
ITEM	MATERIAL P/N	CONNECTOR
1	2135230001	SMA-J(MALE PIN)
2	2135230011	RP-SMA-J(FEMALE SOCKET)
3	2135231001	SMA-J(MALE PIN)
4	2135231011	RP-SMA-J(FEMALE SOCKET)

- NOTES:
- FOR STRUCTURAL MATERIALS, PLEASE REFER TO THE MATERIAL FORM.
 - PACKAGE SPEC. REFER TO PK OF 2135230001
 - PRODUCT SPEC. REFER TO PS OF 2135230001
 - APPLICATION SPEC. REFER TO AS OF 2135230001

SYMBOLS ▽ = 0 DIMENSION UNITS ▽ = 0 SCALE ▽ = 0 mm 1:1 ▽ = 0 GENERAL TOLERANCES (UNLESS SPECIFIED) ▽ = 0 ANGULAR TOL ± ° ▽ = 0 4 PLACES ± ▽ = 0 3 PLACES ± ▽ = 0 2 PLACES ± 2.0 ▽ = 0 1 PLACE ± 3.0 ▽ = 0 0 PLACES ± ▽ = 0 DRAFT WHERE APPLICABLE MUST REMAIN WITHIN DIMENSIONS ▽ = 0	THIS DRAWING CONTAINS INFORMATION THAT IS PROPRIETARY TO MOLEX ELECTRONIC TECHNOLOGIES, LLC AND SHOULD NOT BE USED WITHOUT WRITTEN PERMISSION CURRENT REV DESC:		 LTE ANTENNA HINGE SMA		
	EC NO: 626276 DRWN: KCHENG06 2019/09/18 CHK'D: XJSONG 2019/10/25 APPR: XJSONG 2019/10/25 INITIAL REVISION: DRWN: KCHENG06 2019/09/18 APPR: XJSONG 2019/10/25				DOCUMENT NUMBER 2135230001
THIRD ANGLE PROJECTION 	DRAWING A3-SIZE	SERIES 213523	MATERIAL NUMBER SEE TABLE	CUSTOMER GENERAL MARKET	SHEET NUMBER 1 OF 2

THIS MATERIAL TABLE IS APPLIED FOR ANTENNAS BELOW:
MOLEX P/N:2135230001

MATERIAL BOM

ITEM	DESCRIPTION	Q'TY	REMARK	
1	ANTENNA BODY	ABS	2	COLOR:BLACK
2	ANTENNA BASE	PC+PBT	1	COLOR:BLACK
3	ANTENNA BASE	PC+PBT	1	COLOR:BLACK
4	CABLE	RG178	1	BROWN,50Ω
5	CONNECTOR	SMA-J	1	PLATING Ni (Min 85 uin)

THIS MATERIAL TABLE IS APPLIED FOR ANTENNAS BELOW:
MOLEX P/N:2135230011

MATERIAL BOM

ITEM	DESCRIPTION	Q'TY	REMARK	
1	ANTENNA BODY	ABS	2	COLOR:BLACK
2	ANTENNA BASE	PC+PBT	1	COLOR:BLACK
3	ANTENNA BASE	PC+PBT	1	COLOR:BLACK
4	CABLE	RG178	1	BROWN,50Ω
5	CONNECTOR	RP-SMA-J	1	PLATING Ni (Min 85 uin)

THIS MATERIAL TABLE IS APPLIED FOR ANTENNAS BELOW:
MOLEX P/N:2135231001

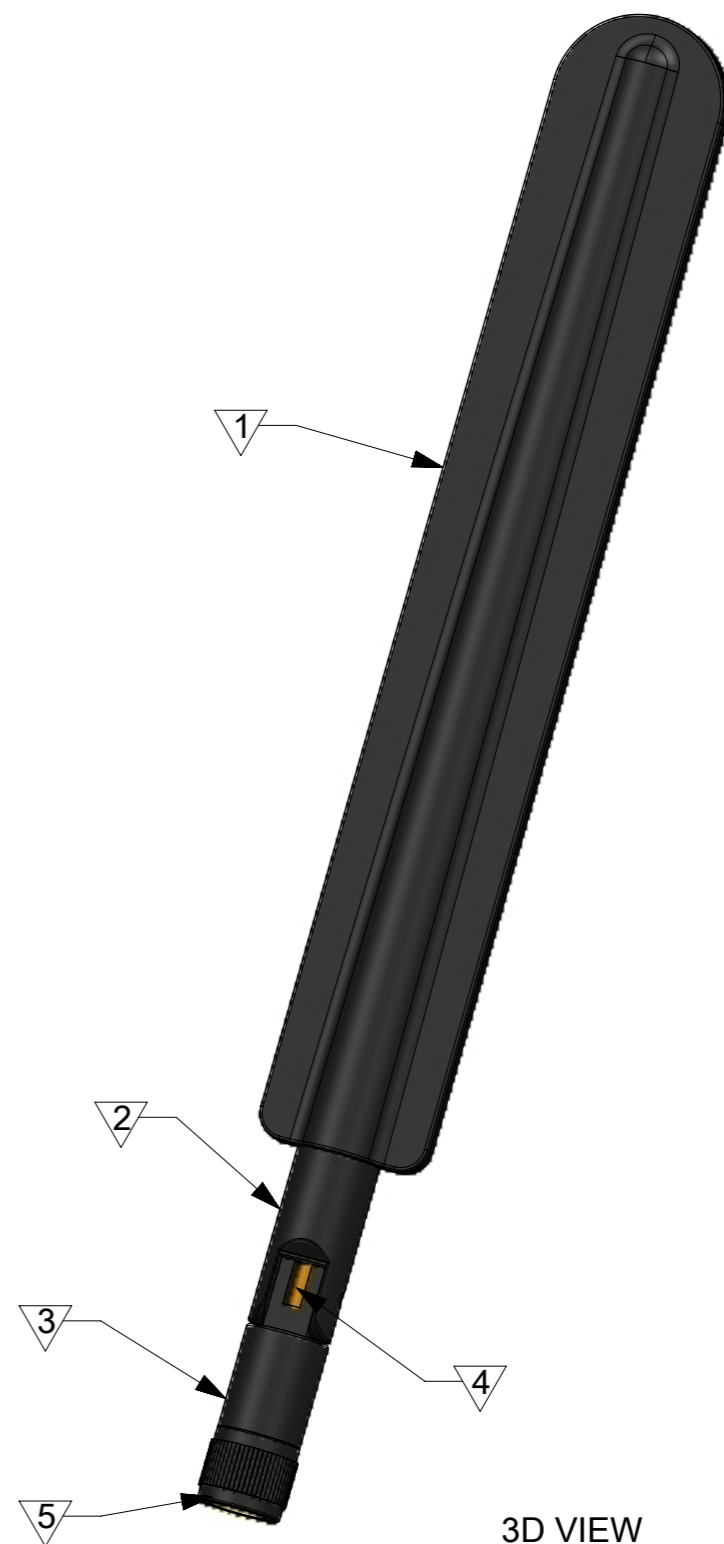
MATERIAL BOM

ITEM	DESCRIPTION	Q'TY	REMARK	
1	ANTENNA BODY	ABS	2	COLOR:WHITE
2	ANTENNA BASE	PC+PBT	1	COLOR:WHITE
3	ANTENNA BASE	PC+PBT	1	COLOR:WHITE
4	CABLE	RG178	1	BROWN,50Ω
5	CONNECTOR	SMA-J	1	PLATING Ni (Min 85 uin)

THIS MATERIAL TABLE IS APPLIED FOR ANTENNAS BELOW:
MOLEX P/N:2135231011

MATERIAL BOM

ITEM	DESCRIPTION	Q'TY	REMARK	
1	ANTENNA BODY	ABS	2	COLOR:WHITE
2	ANTENNA BASE	PC+PBT	1	COLOR:WHITE
3	ANTENNA BASE	PC+PBT	1	COLOR:WHITE
4	CABLE	RG178	1	BROWN,50Ω
5	CONNECTOR	RP-SMA-J	1	PLATING Ni (Min 85 uin)



SYMBOLS	THIS DRAWING CONTAINS INFORMATION THAT IS PROPRIETARY TO MOLEX ELECTRONIC TECHNOLOGIES, LLC AND SHOULD NOT BE USED WITHOUT WRITTEN PERMISSION		CURRENT REV DESC:		molex
	DIMENSION UNITS	SCALE			
▽ = 0	mm	1:1			LTE ANTENNA HINGE SMA
▽ = 0	GENERAL TOLERANCES (UNLESS SPECIFIED)				
▽ = 0	ANGULAR TOL ± °				PRODUCT CUSTOMER DRAWING
▽ = 0	4 PLACES	±			
▽ = 0	3 PLACES	±			DOCUMENT NUMBER
▽ = 0	2 PLACES	± 2.0			
▽ = 0	1 PLACE	± 3.0			DOC TYPE
▽ = 0	0 PLACES	±			
□ = 0	DRAFT WHERE APPLICABLE MUST REMAIN WITHIN DIMENSIONS		THIRD ANGLE PROJECTION	DRAWING	SERIES
▽ = 0				A3-SIZE	213523
			MATERIAL NUMBER	CUSTOMER	SHEET NUMBER
			2135230001	GENERAL MARKET	2 OF 2