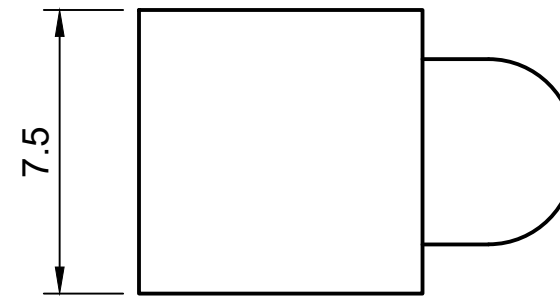
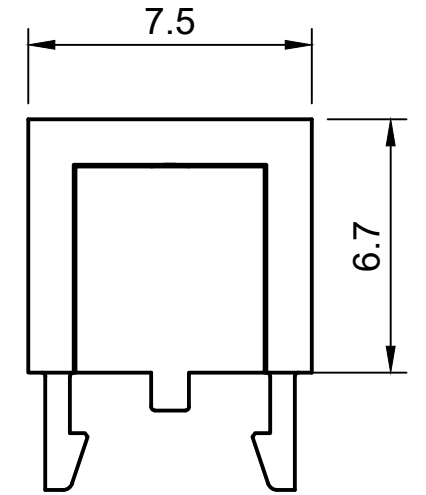
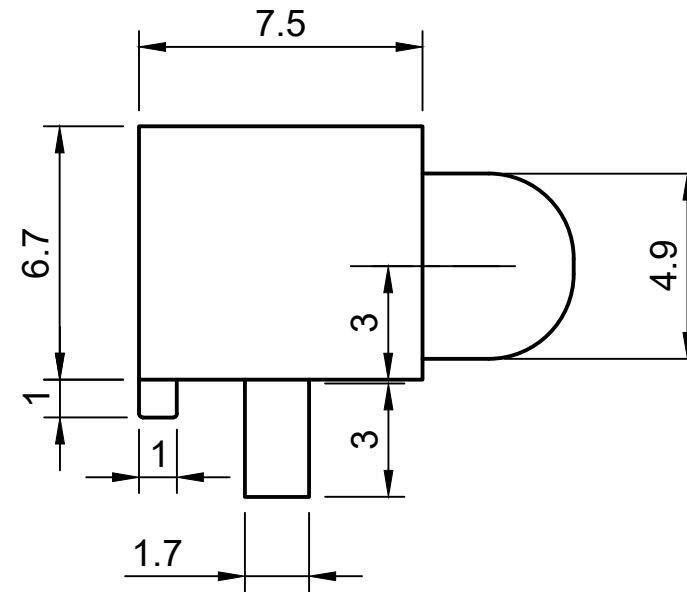
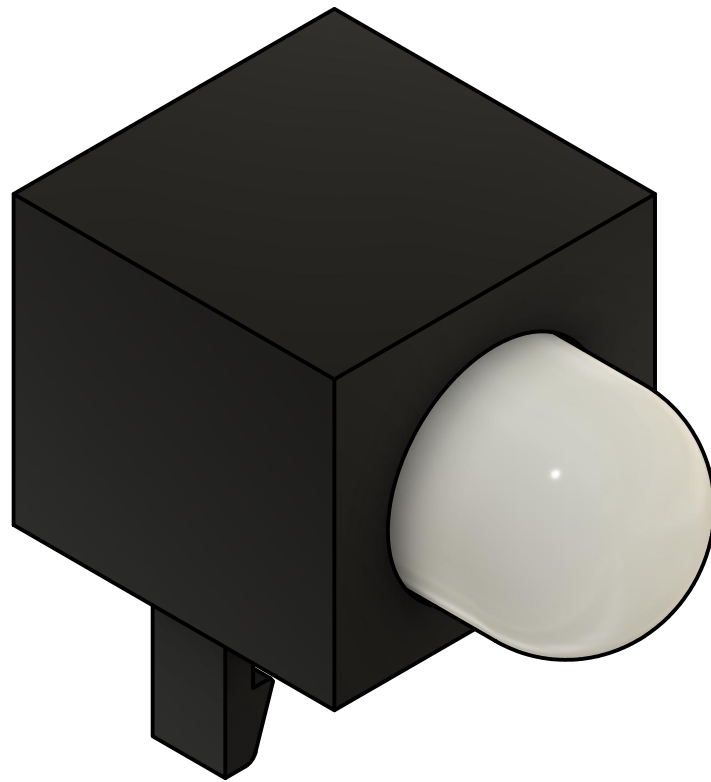

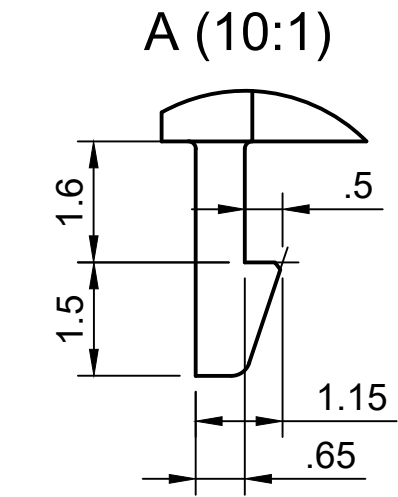
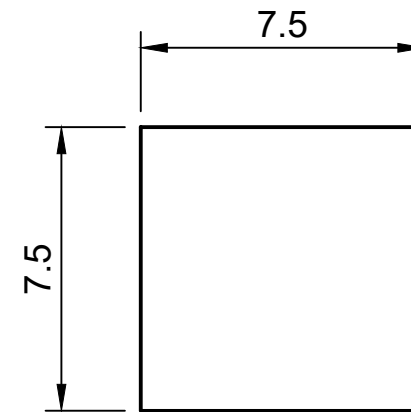
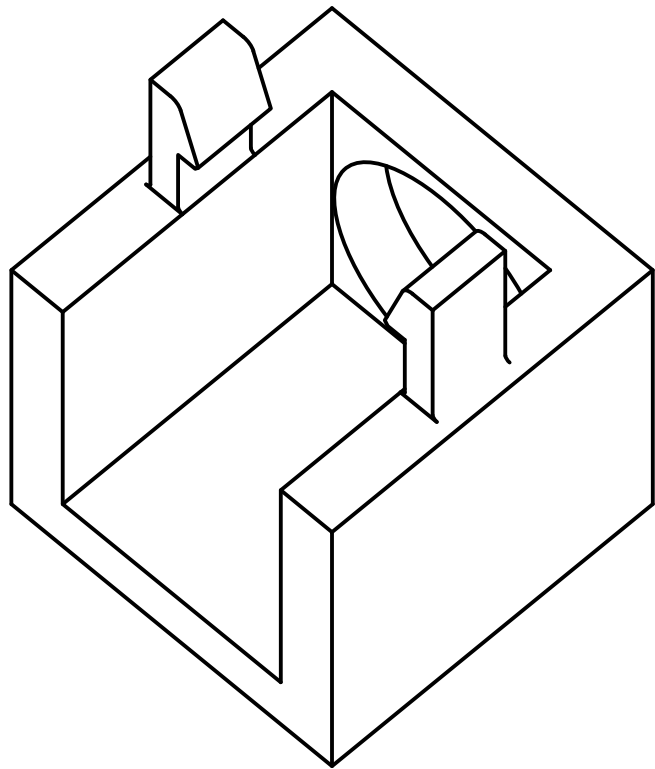
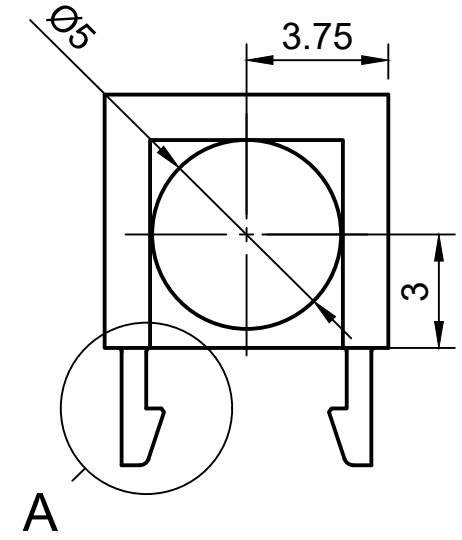
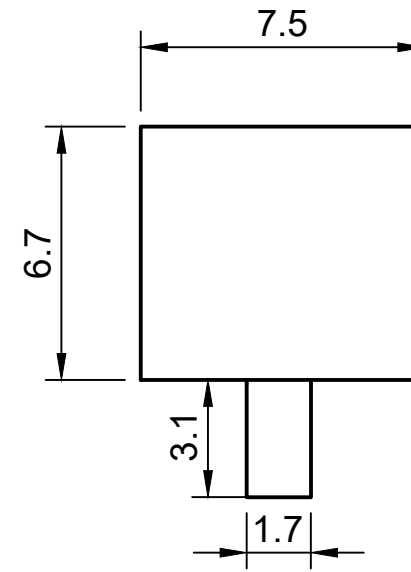
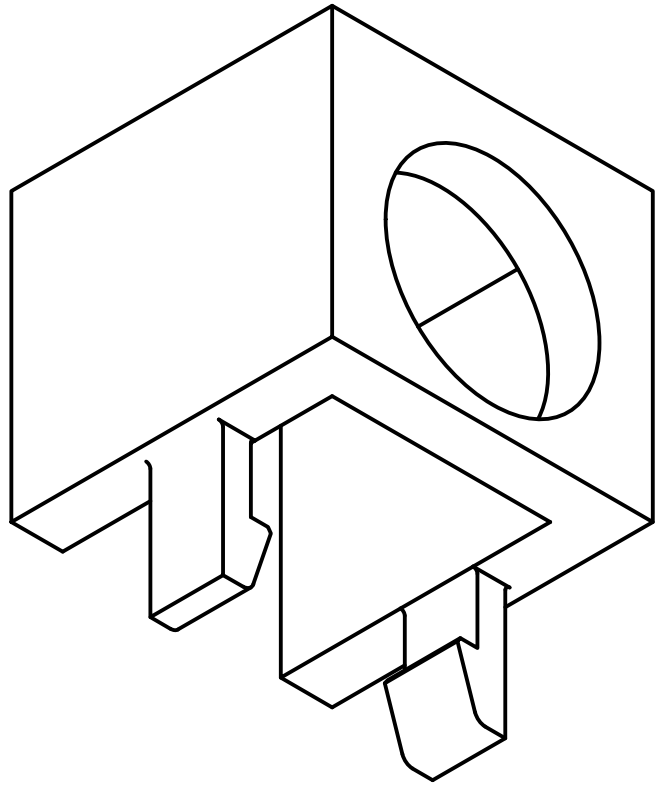



ASSEMBLY DIMENSIONS



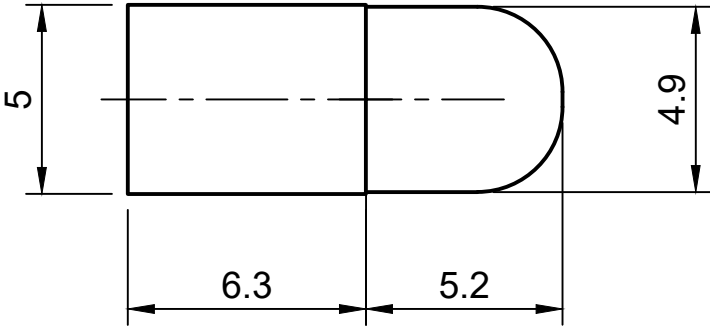
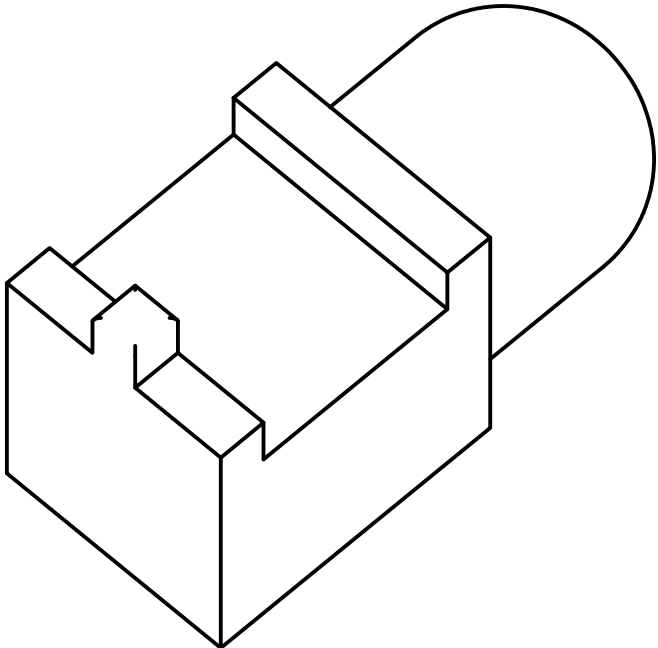
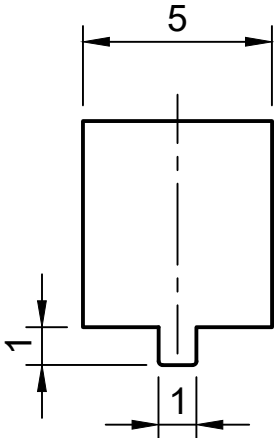
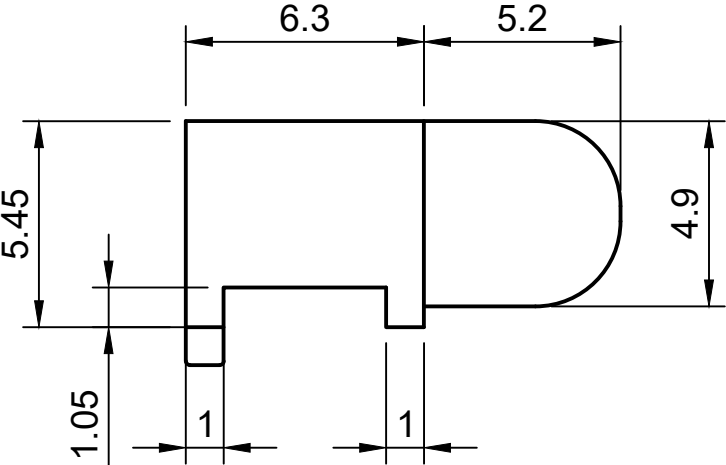
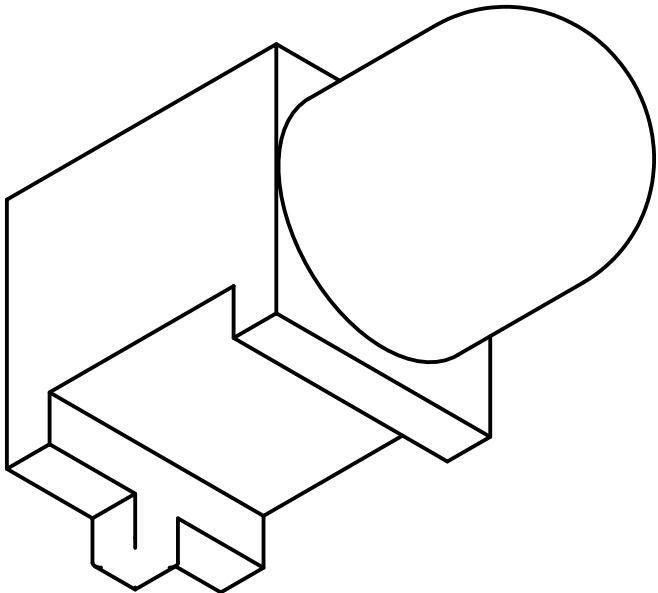
Dept.	Technical reference	Created by Nick Poole	4/15/2024	Approved by
		Document type	Document status	
		Title Addr_RA_1_Simple	DWG No.	
		Rev.	Date of issue	Sheet 1/4


BODY DIMENSIONS

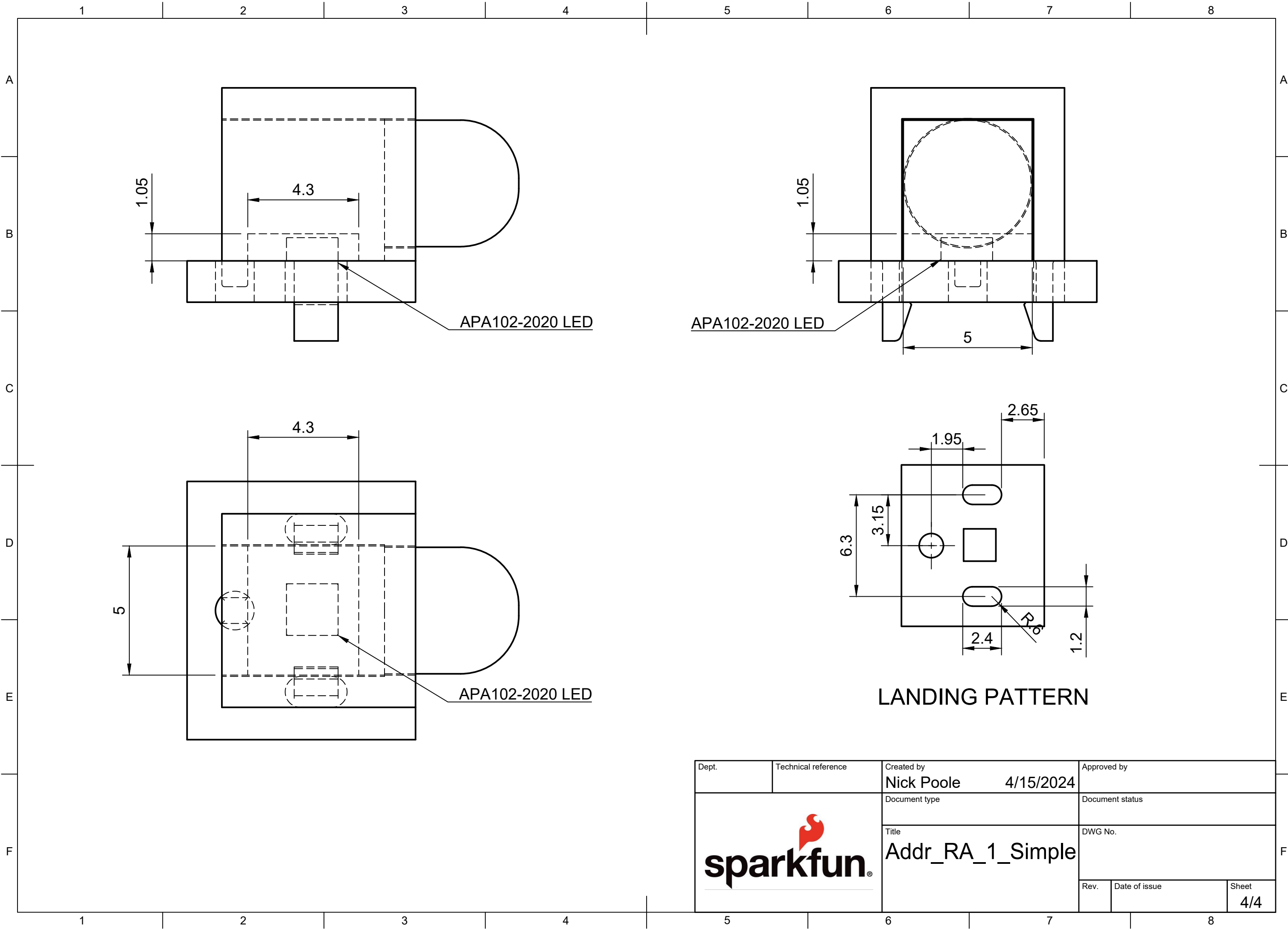


Dept.	Technical reference	Created by Nick Poole	4/15/2024	Approved by
		Document type	Document status	
		Title Addr_RA_1_Simple	DWG No.	
Rev.	Date of issue	Sheet		2/4


LENS DIMENSIONS



Dept.	Technical reference	Created by Nick Poole	4/15/2024	Approved by
		Document type	Document status	
		Title Addr_RA_1_Simple	DWG No.	
Rev.	Date of issue	Sheet		3/4



LANDING PATTERN

Dept.	Technical reference	Created by Nick Poole	4/15/2024	Approved by
		Document type	Document status	
		Title Addr_RA_1_Simple	DWG No.	
Rev.	Date of issue	Sheet		4/4