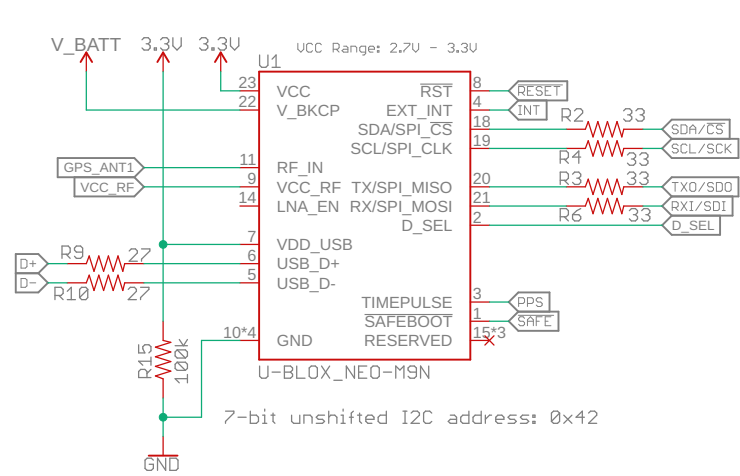
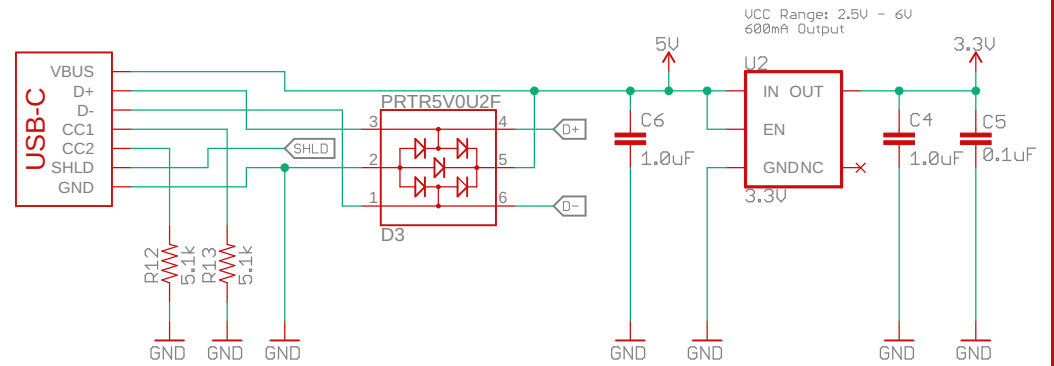


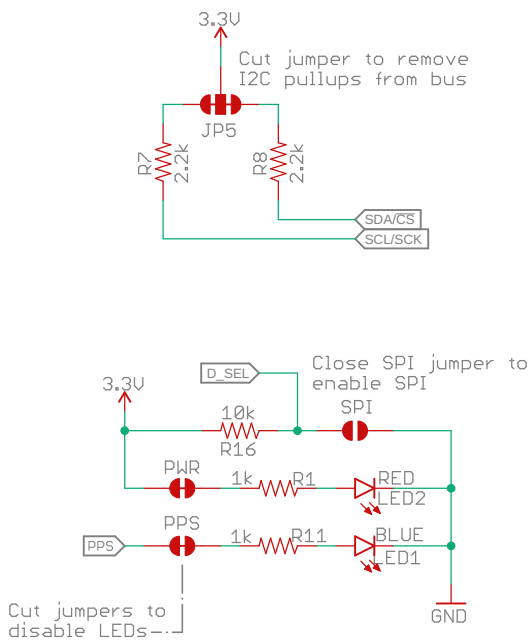
GPS: u-blox NEO-M9N



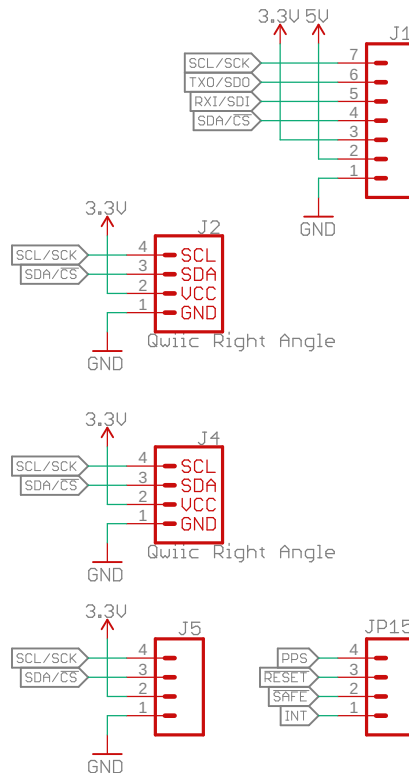
USB Connector - Power



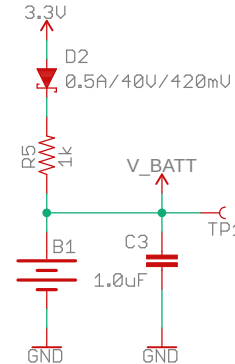
LEDs and Jumpers



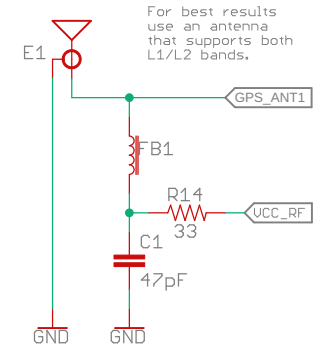
Headers



Hot Start Battery



SMA Connector



Released under the Creative Commons Attribution Share-Alike 4.0 License
<https://creativecommons.org/licenses/by-sa/4.0/>

TITLE: SparkFun GPS NEO_M9N_SMA

Design by: Elias Santistevan

REV: U10

Date: 4/7/2022 9:19 AM

Sheet: 1/1