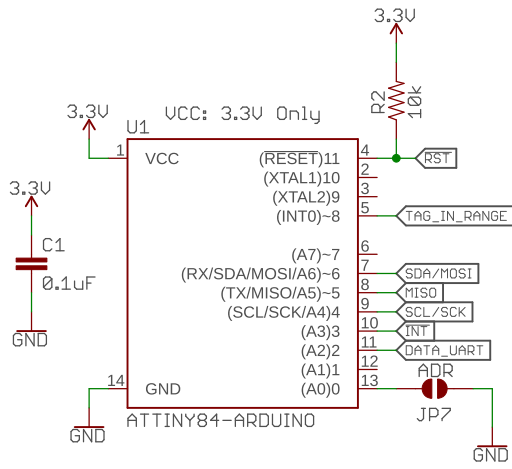
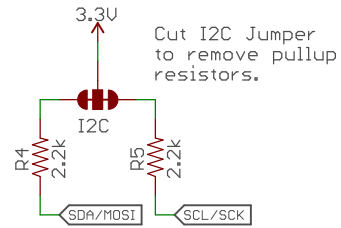
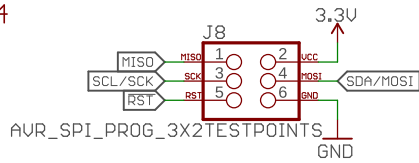


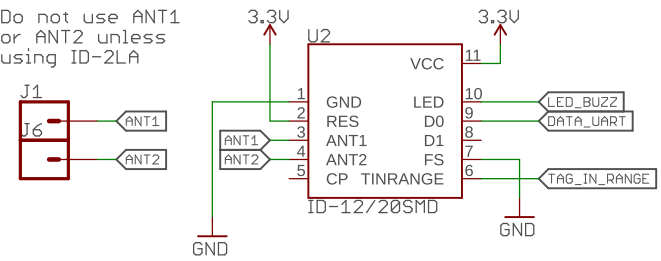
ATTINY84



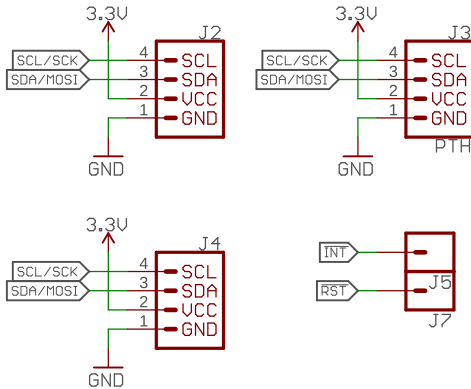
7-Bit Unshifted I2C Address
 Open Jumper (Default): 0x13
 Closed Jumper: 0x14
 Software configurable

RFID READER

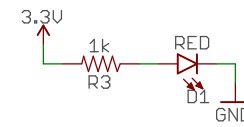
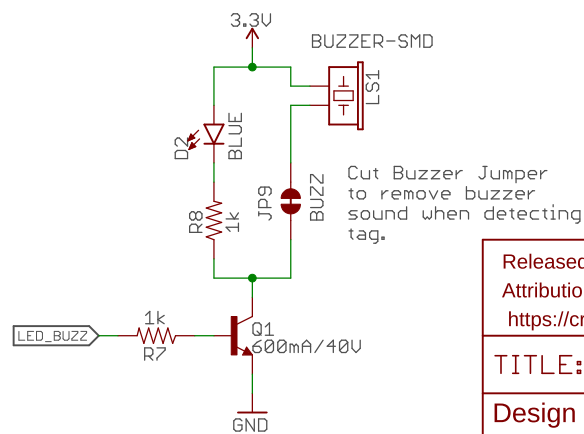
Do not use ANT1 or ANT2 unless using ID-2LA



QWIC CONNECTORS



Buzzer and Power LED



Released under the Creative Commons Attribution Share-Alike 4.0 License https://creativecommons.org/licenses/by-sa/4.0/		
TITLE: Qwiic RFID - IDXXLA		
Design by: Elias Santsitevan		REV: v10
Date: not saved!	Sheet: 1/1	