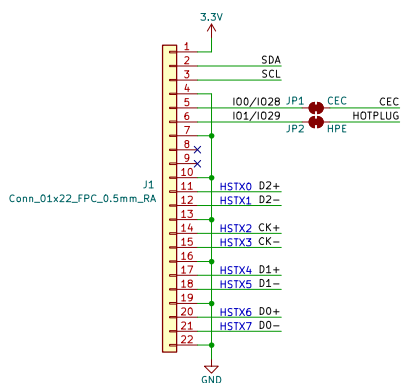
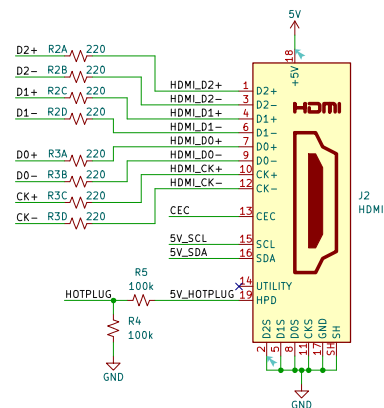


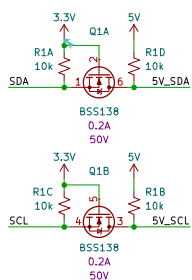
### HSTX Connector



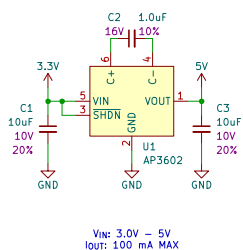
### HDMI Connector



### I2C Logic Conversion



### 5V Boost Regulator



Designed by: Alex Brudner  
SparkFun Electronics

Sheet: /  
File: SparkFun\_HSTX\_to\_DVI\_Breakout.kicad\_sch

**Title: SparkFun HSTX to DVI Breakout**

Size: A4 Date: 2025-03-03

KiCad E.D.A. 8.0.8

Rev: v10

Id: 1/1