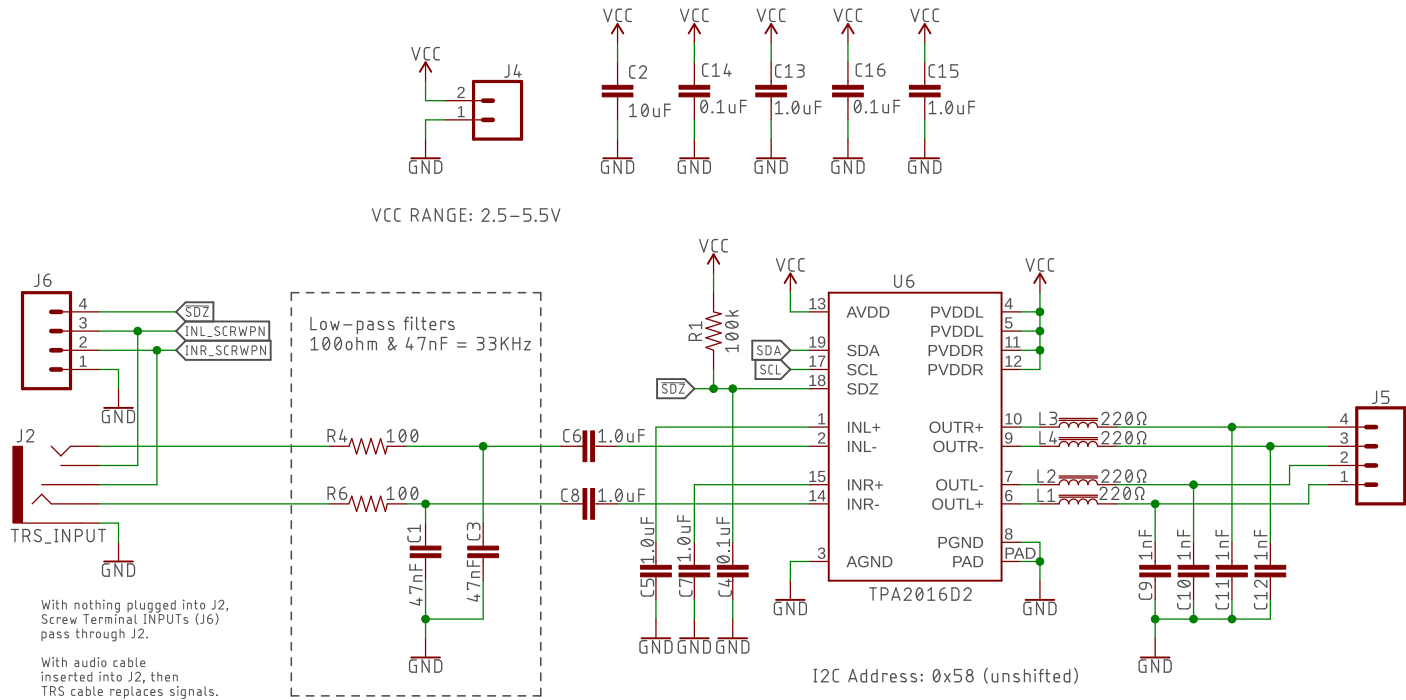
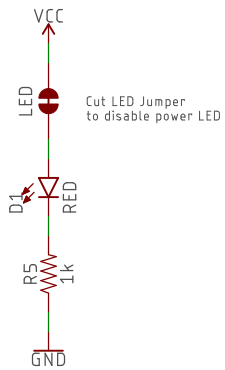


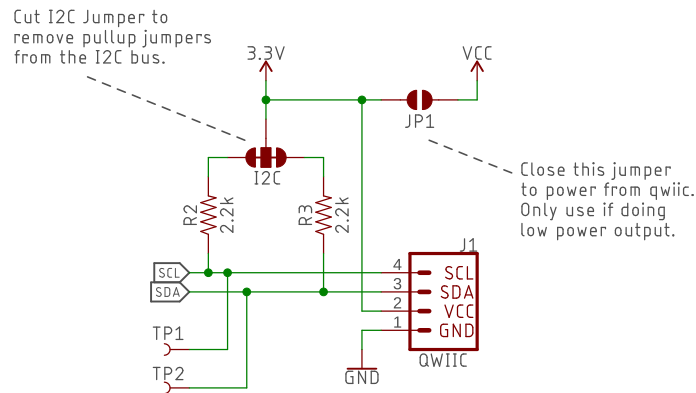
# Audio Amp




# Power LED



# I2C connector



Released under the Creative Commons Attribution Share-Alike 4.0 License  
<https://creativecommons.org/licenses/by-sa/4.0/>  [Special Instructions](#)

TITLE: SparkFun\_Qwiic\_Speaker\_Amp

Design by: Pete Lewis  
 Based on the Lilypad MP3 by Mike Grusin

REV: v10

Date: 9/21/2022 9:48 AM Sheet: 1/1