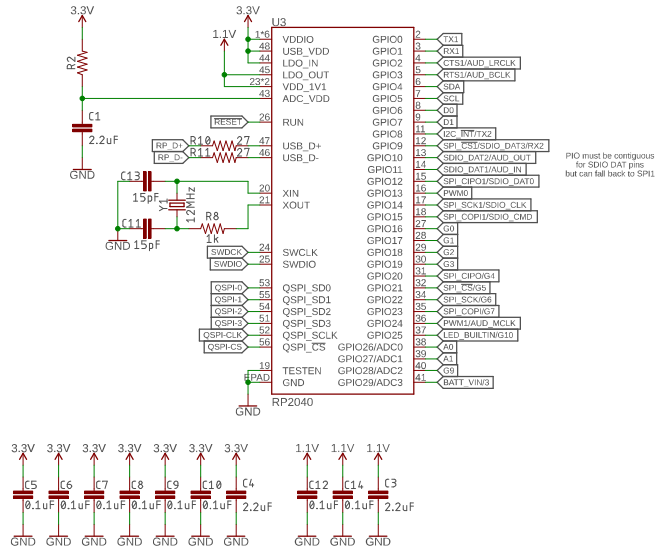
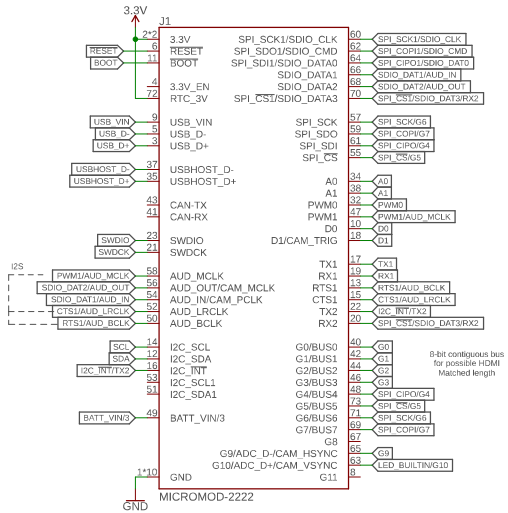


Raspberry Pi RP2040

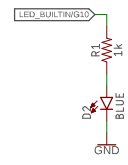


0.3uA Leakage 0.290V drop at 1mA MicroMod Connector

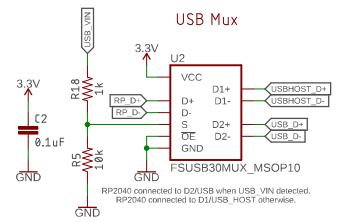
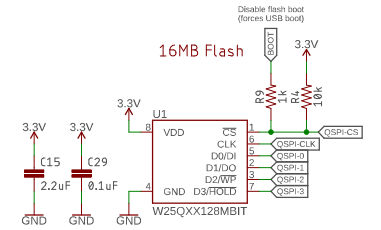


Differential Microstrip Calculation:
 Single Ended Impedance: 50Ω
 Differential Impedance: 100Ω
 Trace Thickness (1oz): 1.4mil/0.035mm
 Dielectric thickness (layer 1 to 2): 3.92mil/0.1mm
 Er: 4.6 (FR4263B)
 Board thickness: 0.8mm
 Required Trace Width: 5mil
 Required Trace Separation: 4mil
www.cmc.com/eng/engcalc/

Status LED



16MB Flash



Released under the Creative Commons Attribution Share-Alike 4.0 License https://creativecommons.org/licenses/by-sa/4.0/		Special Instructions
TITLE: MicroMod-RP2040-ProcessorBoard		REV: v1.7
Design by: N. Seidle		
Date: 1/4/2021 11:15 AM	Sheet: 1/1	