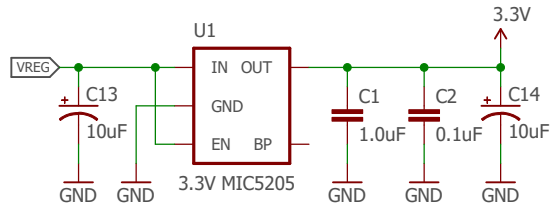


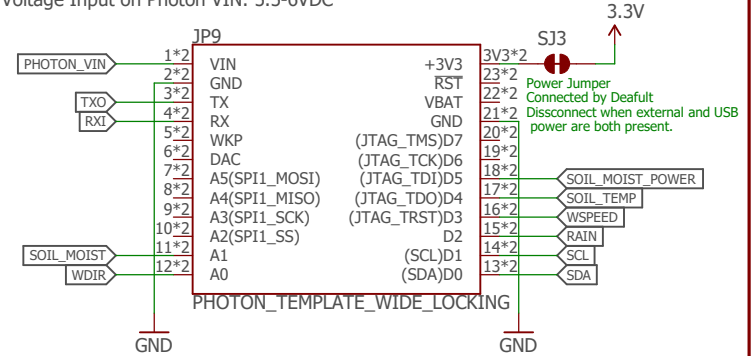
Power



Max Voltage Input: ~11.5VDC
Min Voltage Input: 5VDC
Max Current Output: 150mA

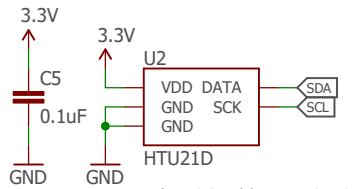
Photon Footprint

Max Voltage Input on Photon VIN: 5.5-6VDC



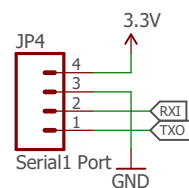
Sensors

Humidity & Temperature

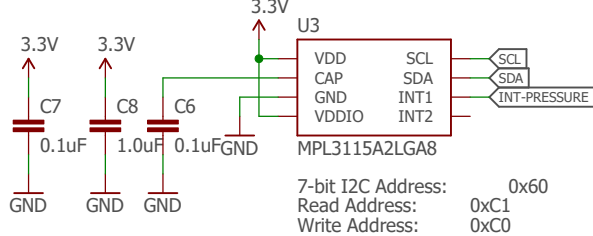


7-bit I2C Address is 0x40
I2C write is 0x80
I2C read is 0x81

Serial 1 Port (optional)

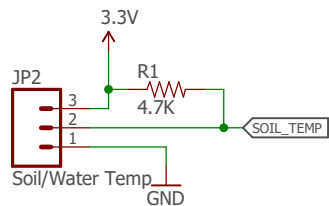


Pressure/Altitude

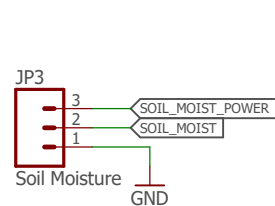


7-bit I2C Address: 0x60
Read Address: 0xC1
Write Address: 0xC0

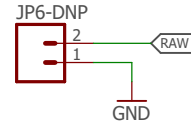
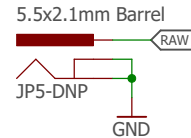
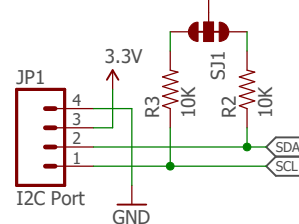
DS18B20 Soil/Water Temperature (optional)



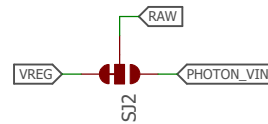
Soil Moisture (optional)



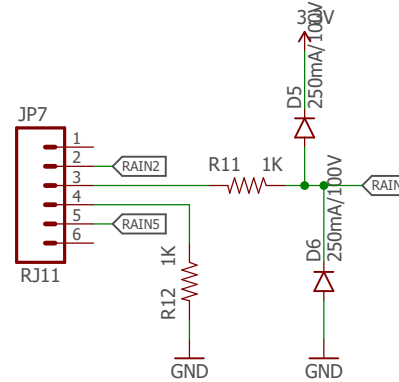
I2C Port (optional)



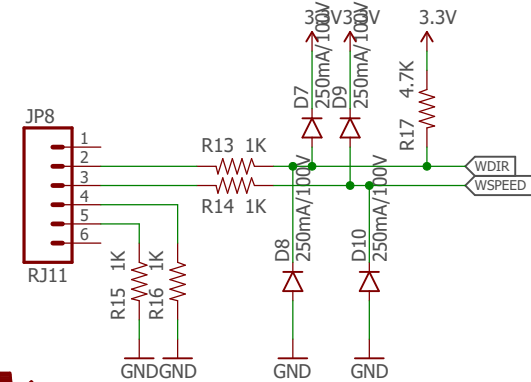
Power Selection



Rain (optional)



Wind (optional)



open hardware

sparkfun

Released under the Creative Commons
Attribution Share-Alike 4.0 License
<https://creativecommons.org/licenses/by-sa/4.0/>

TITLE: SparkFun_Weather_Shield

Design by: Joel Bartlett
Based on the Weather Shield for Arduino by Nathan Seidle

REV:
V10

Date: 6/5/2018 3:31 PM

Sheet: 1/1