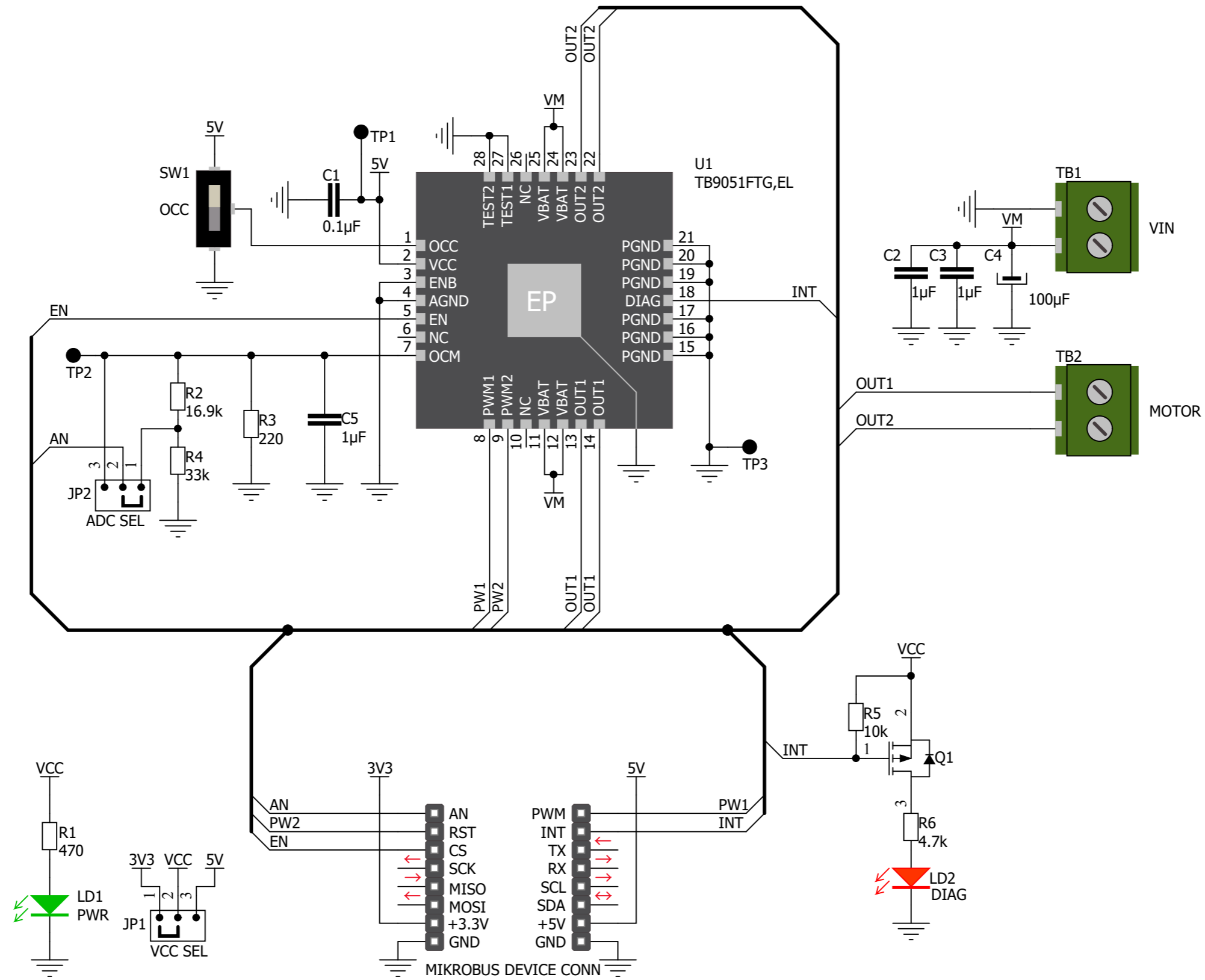


DC Motor 18 Click schematic v100



www.mikroe.com