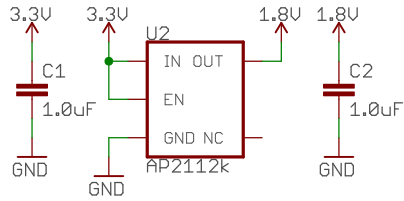
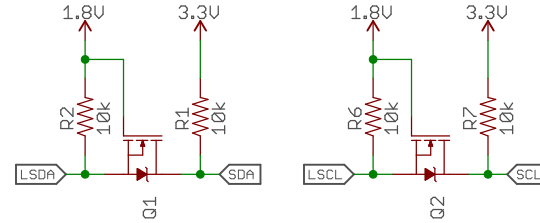


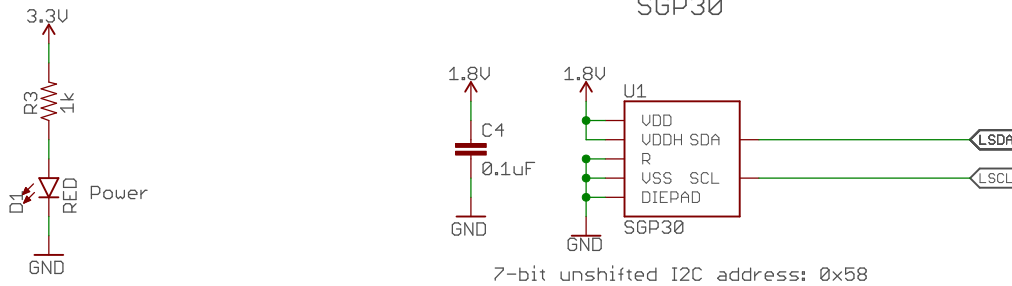
### Voltage Regulator



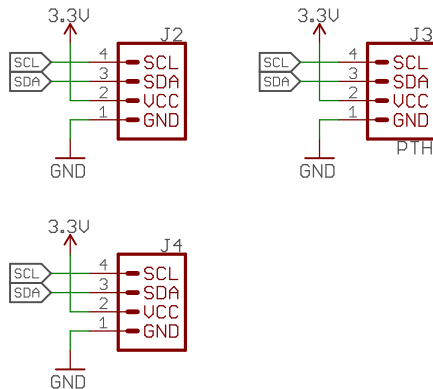
### Bi-Directional Level Shifter



### SGP30



### Connectors



Released under the Creative Commons Attribution Share-Alike 4.0 License  
<https://creativecommons.org/licenses/by-sa/4.0/>



TITLE: SGP30 Breakout

Design by: Ciara Jekel

REV:  
X01

Date: 6/25/2018 4:33 PM

Sheet: 1/1