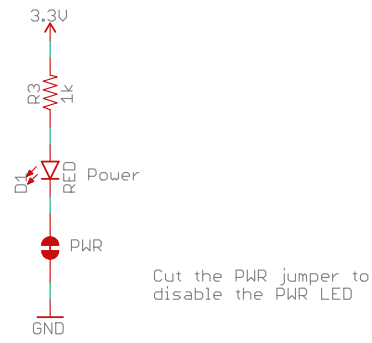
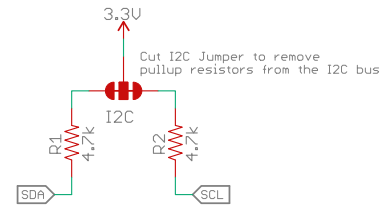


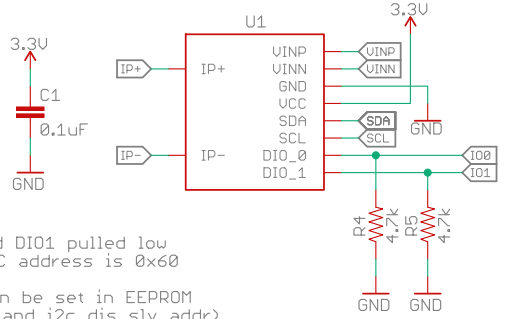
LED



I2C Pull-Up

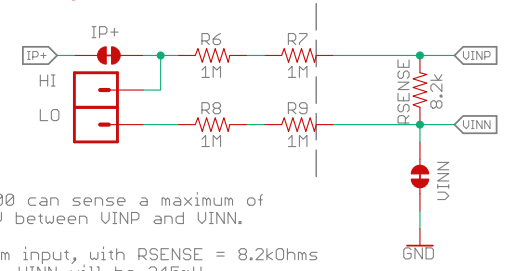


ACS37800



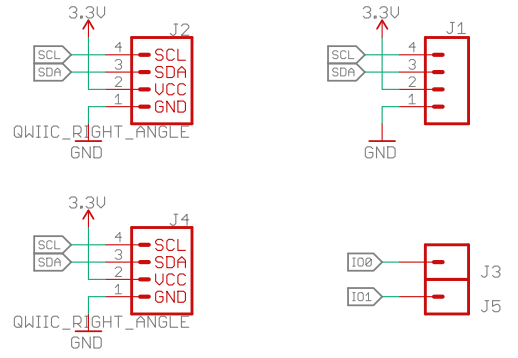
With DI00 and DI01 pulled low the default I2C address is 0x60
 The address can be set in EEPROM (via i2c_slv_addr and i2c_dis_slv_addr)

Voltage Sensing



The ACS37800 can sense a maximum of +/- 250mV between VINP and VINN.
 For 60VDC maximum input, with RSENSE = 8.2kOhms VINP - VINN will be 245mV

Connectors



Special Instructions

Released under the Creative Commons Attribution Share-Alike 4.0 License
<https://creativecommons.org/licenses/by-sa/4.0/>

TITLE: Qwiic_Power_Meter-ACS37800

Design by: Paul Clark REV: X01

Date: 15/03/2021 19:54 Sheet: 1/1