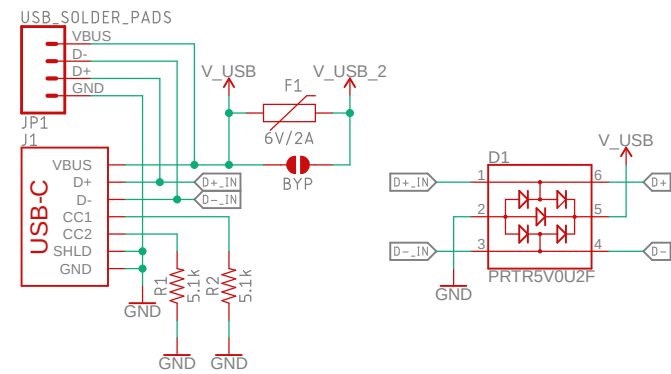
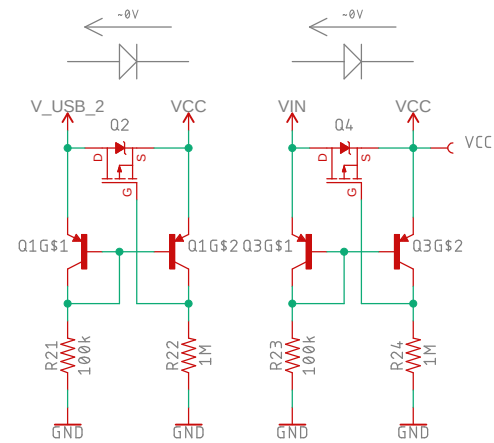


USB

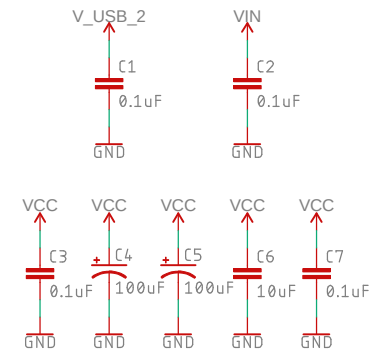


USB 2.0 is not supported
Peak USB current draw is 600mA

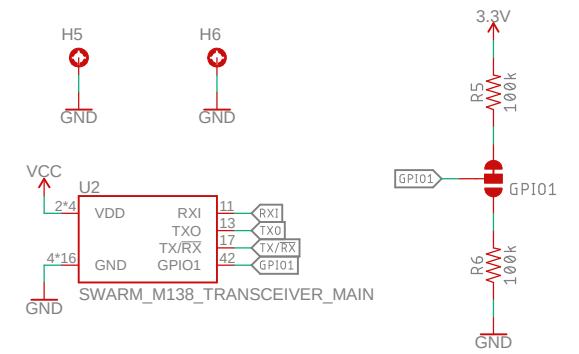
Power Mux



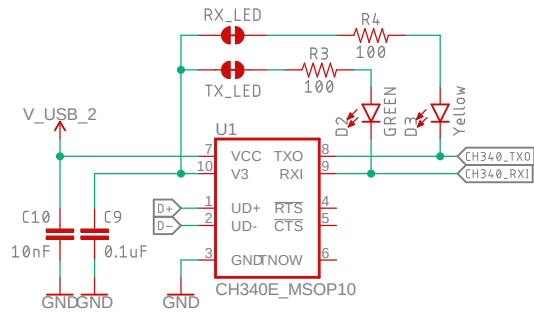
Power Decoupling



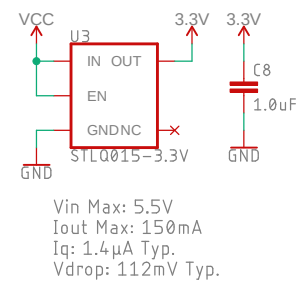
Swarm M138



CH340 USB-Serial Interface

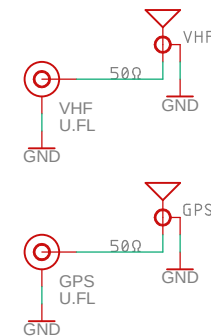


Voltage Regulation

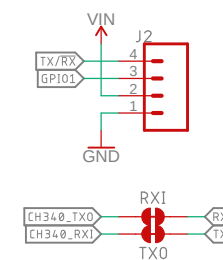


Vin Max: 5.5V
Iout Max: 150mA
Iq: 1.4µA Typ.
Vdrop: 112mV Typ.

Antenna Connections



Breakouts



VIN:
Min: 3.00V
Max: 5.00V
Typ.: 3.3V or 5.0V

Current Draw @ 3.3V:
Sleep: Modem: 80µA Peak; Power Mux: ~70µA
RX: 26mA Typ. / 40mA Peak
TX: 850mA Typ. / 1000mA Peak

Current Draw @ 5.0V:
Sleep: Modem: 110µA Peak; Power Mux: ~100µA
RX: 25mA Typ. / 45mA Peak
TX: 550mA Typ. / 600mA Peak

USB 2.0 is not supported
Peak USB current draw is 600mA



Released under the Creative Commons Attribution Share-Alike 4.0 License https://creativecommons.org/licenses/by-sa/4.0/		Special Instructions
TITLE: Satellite_Transceiver_Breakout__Swarm_M138		
Design by: Paul Clark		REV: x02
Date: 10/03/2022 12:40	Sheet: 1/1	