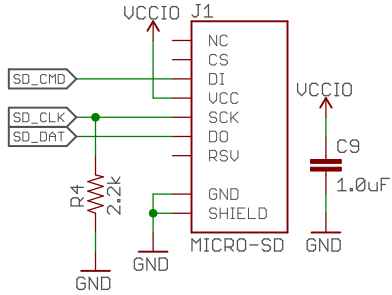
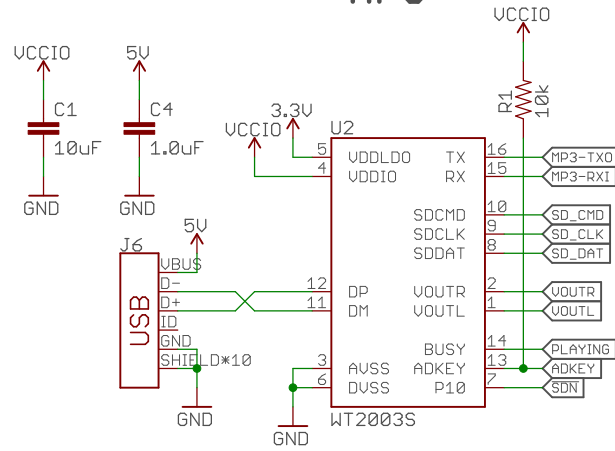


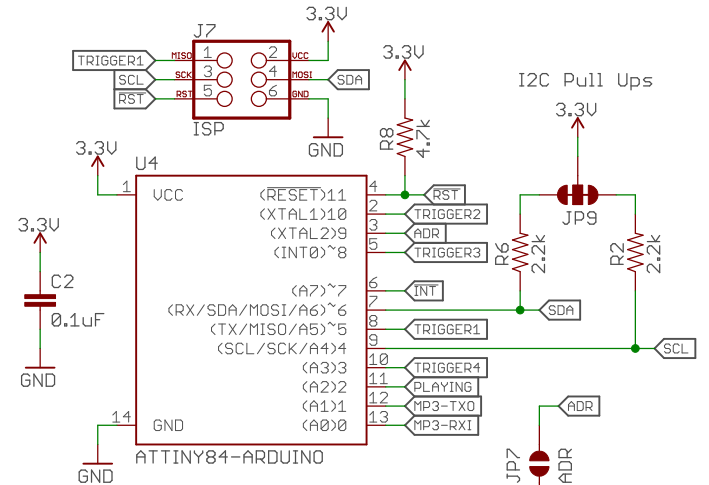
µSD



MP3

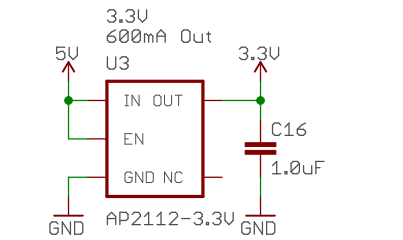
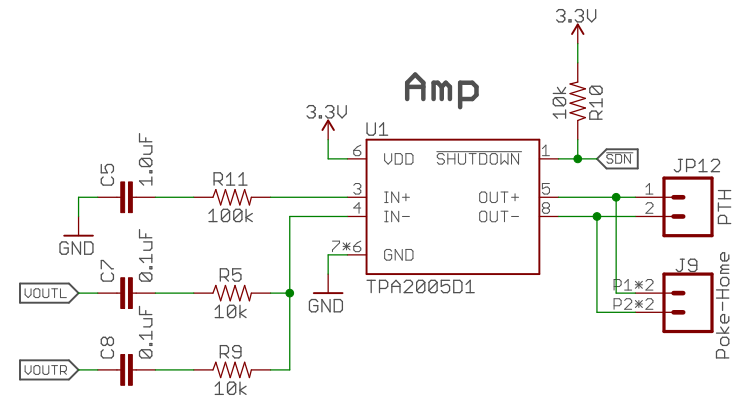


AVR

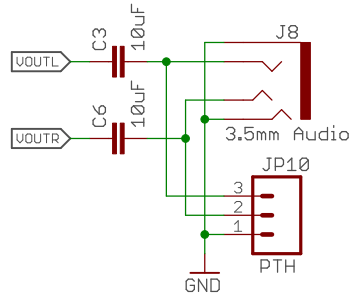
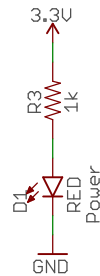


7-bit unshifted I2C address: 0x37
 I2C Address Selection
 Open Jumper (Default): 0x37
 Closed Jumper: 0x38
 Software configurable as well

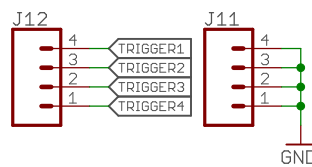
Amp



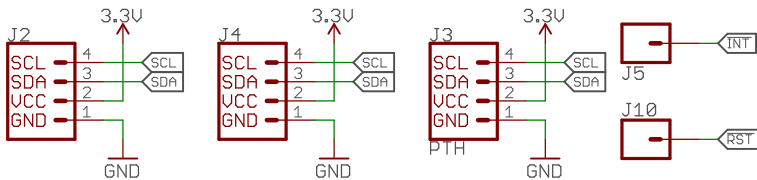
3.3V VReg prevents USB 5V from being injected onto Qwiic 3.3V



Button Triggers



Connections



Released under the Creative Commons Attribution Share-Alike 4.0 License
<https://creativecommons.org/licenses/by-sa/4.0/>

TITLE: Qwiic MP3

Design by: N. Seidle

REV: X10

Date: not saved!

Sheet: 1/1