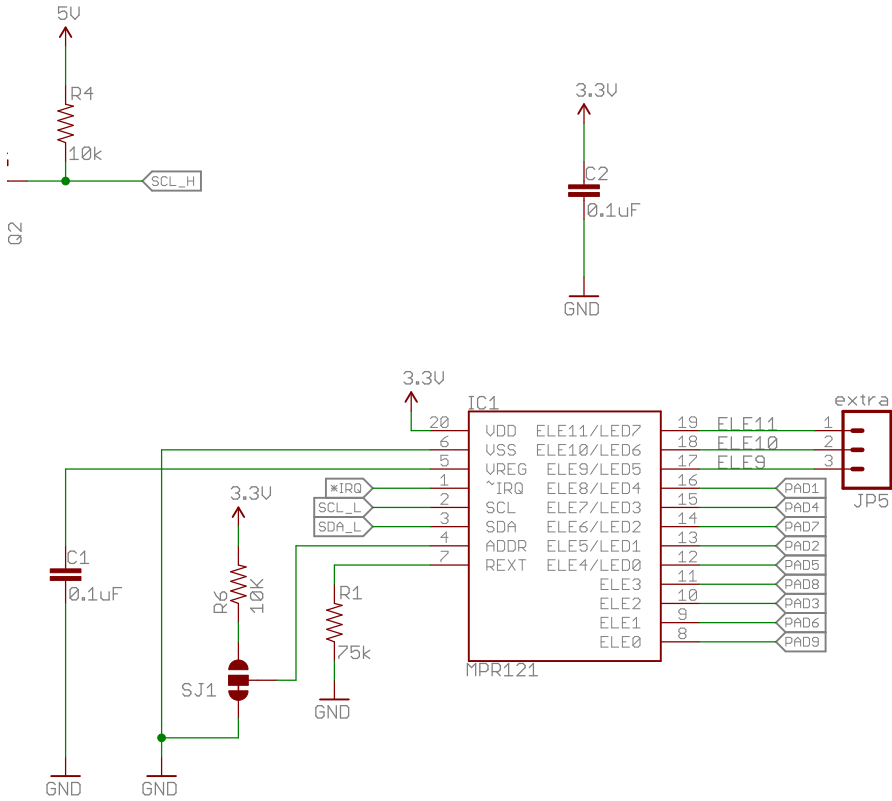


ADDR  
If AD



is default tied to GND - I2C address is 0x5A  
 DR is tied to 3.3V - I2C address is 0x5B

Released under the Creative Commons  
 Attribution Share-Alike 3.0 License  
<http://creativecommons.org/licenses/by-sa/3.0>

TITLE: Touch\_Shield SFE

Design by: A.Weiss REV: v12  
 Revision By: T. Klopfenstein

Date: 9/25/2013 10:53:23 AM Sheet: 1/1

