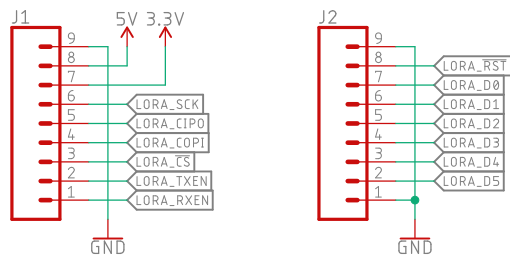
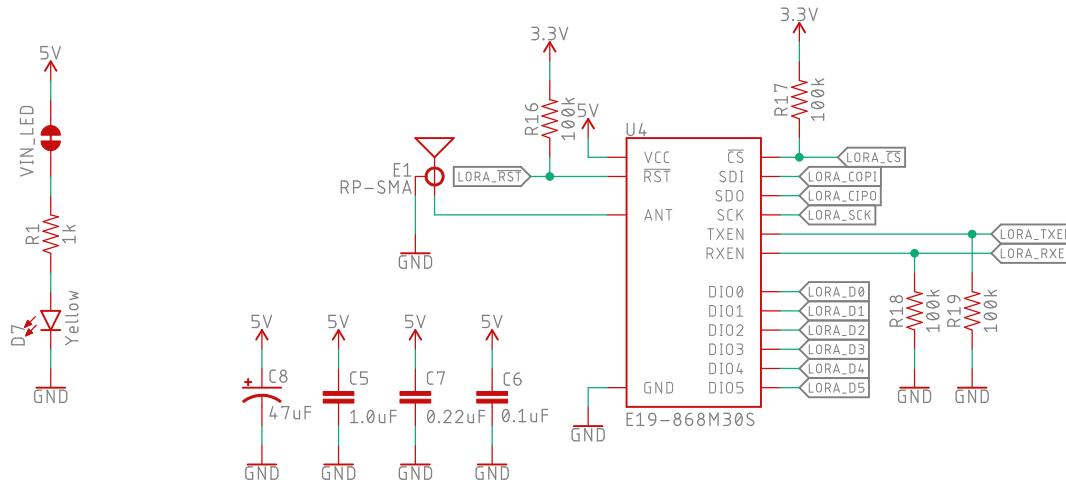


## LoRa Radio 30dBm



### Microstrip Calculation:

Copper Thickness (1oz): 1.4mil/0.035mm

Board thickness: 1.6mm

Dielectric thickness: 1.53mm

Er: 4.5

Polygon Isolation: 4mil/0.1016mm

RF Trace Width: 29.1mil/0.74mm

<https://chemandy.com/calculators/coplanar-waveguide-with-ground-calculator.htm>

**SPARK X** open hardware

Released under the Creative Commons

Attribution Share-Alike 4.0 License

<https://creativecommons.org/licenses/by-sa/4.0/>



TITLE: LoRa\_1W\_Breakout\_868MHz

Design by:

REV:  
x01

Date: 12/7/2023 10:59 AM

Sheet: 1/1