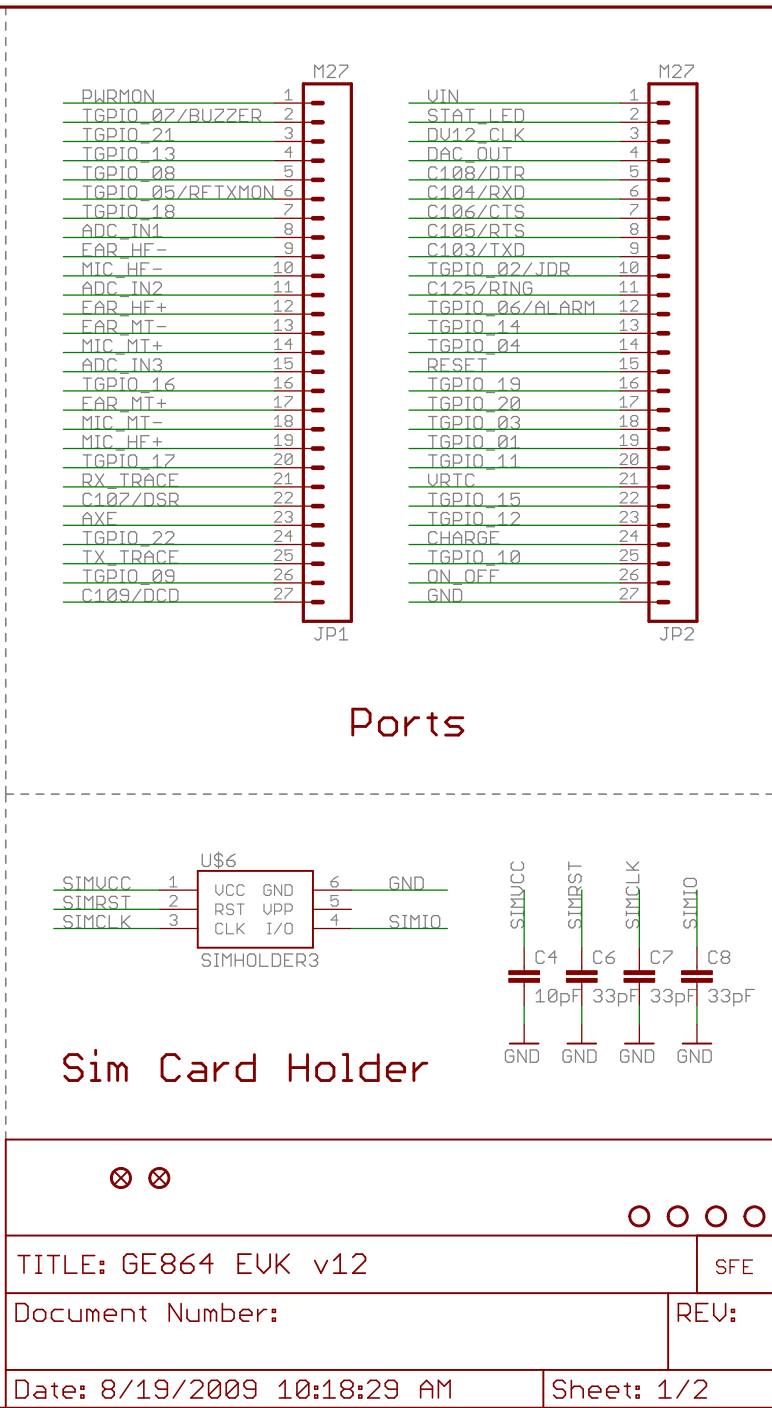
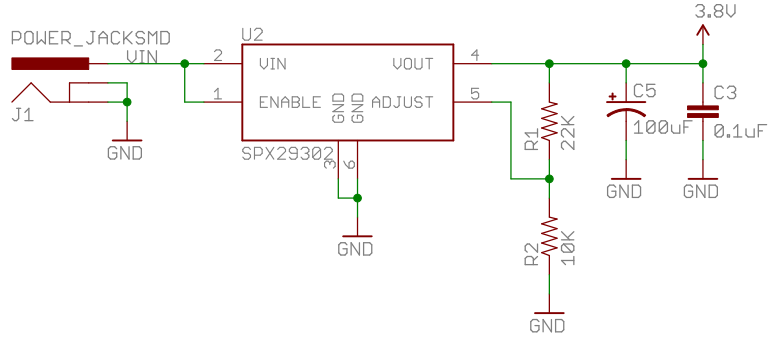
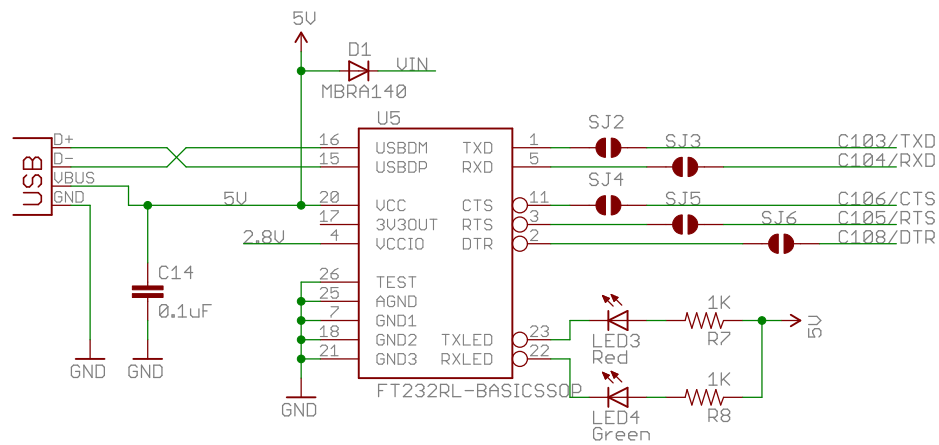


GE864 Module





Power Section



USB Communication

TITLE: GE864 EVK v12

Document Number:

REV:

Date: 8/19/2009 10:18:29 AM

Sheet: 2/2