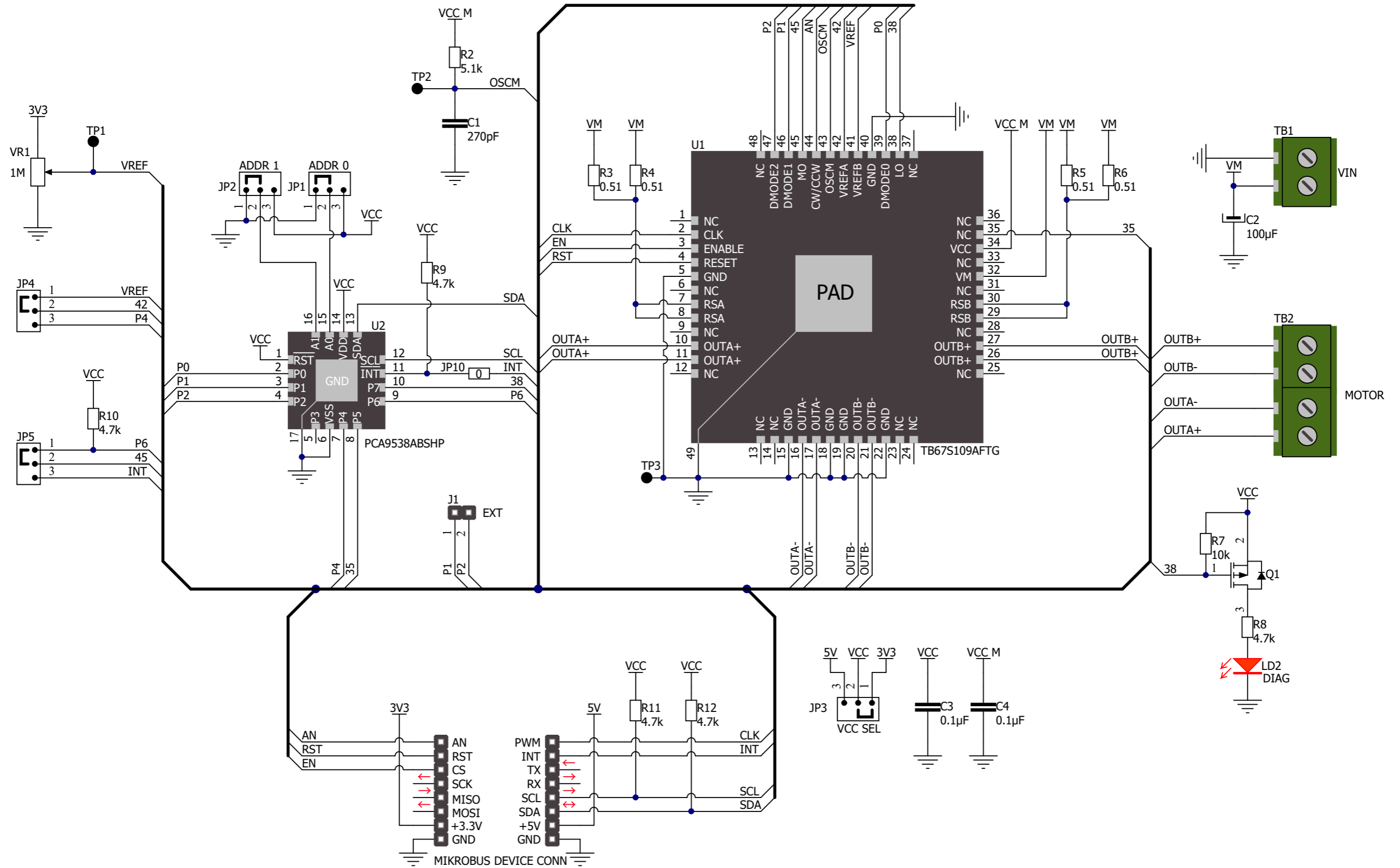


Multi Stepper Click - TB67S109 schematic v100



www.mikroe.com