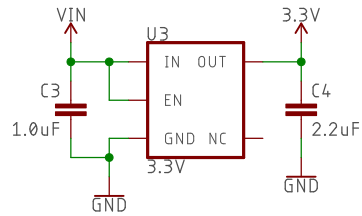
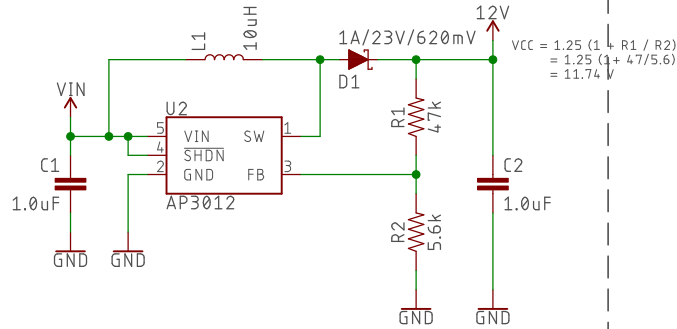


### 3.3V Voltage Regulator



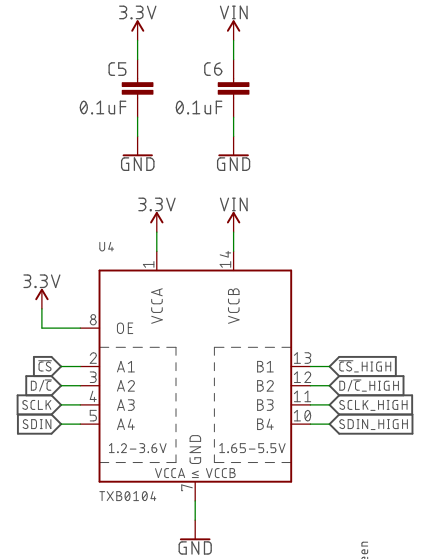
VIN range: 2.6 – 5.5V  
(Low limit: AP3012,  
High limit: TXB0104)

### 12V Boost

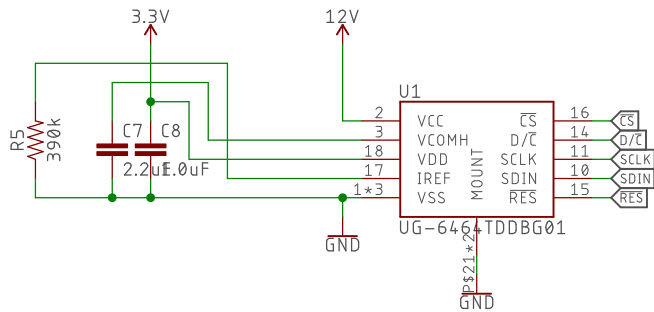


$$V_{CC} = 1.25 \left(1 + \frac{R1}{R2}\right) = 1.25 \left(1 + \frac{4.7}{5.6}\right) = 11.74 \text{ V}$$

### Level Shifting

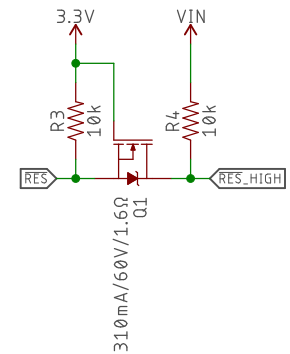


### RGB PMOLED 0.6"



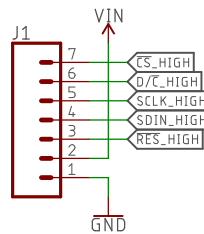
The resistor between Iref and VSS is chosen as 330k ohm because the datasheet says to keep the current to 10 uA at maximum. However this is based on an assumption that the voltage at Iref will be fixed at 3.3V

### CS Pullup



RES will tend to be pulled high by this logic level shifter. It is up to an external device to pull it low to reset the screen

### Connector



Released under the Creative Commons Attribution Share-Alike 4.0 License  
<https://creativecommons.org/licenses/by-sa/4.0/>



TITLE: RGB\_PMOLED\_0.6IN

Design by: Owen Lyke

REV: X02

Date: 7/13/2018 3:52 PM

Sheet: 1/1