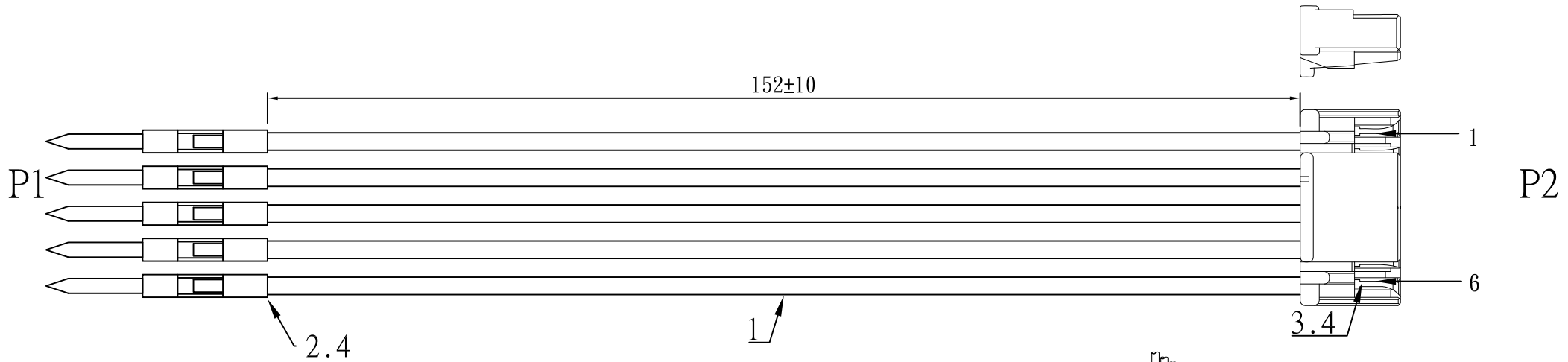
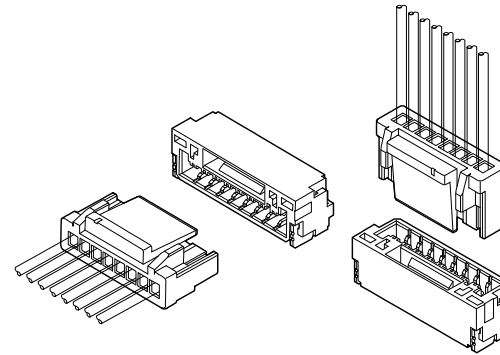


REV	ECRN	DATE
1	NEW PRODUCTION	20210329
2	NEW PRODUCTION	20210624



NOTES:
 1. ELECTRICAL TEST: 100% OPEN, SHORT & MIS WIRE TEST.
 2. CONTACT RESISTANCE: 10 ohm,
 3. INSULATOR RESISTANCE: 5M ohm.
 4. HIGH VOLTAGE: DC 300V 0.01sec.
 5. MUST BE ROHS COMPLIANT.



PIN WIRING

P1		P2
1	GREEN	1
2	BLUE	2
3	YELLOW	3
4	BLACK	4
5	RED	5
6	BROWN	6

NO.	PART NO	ITEM	DESCRIPTION	QTY	UNIT
⑤		HOUSING	JST:GHR-06V-S	1	PCS
④		TERMINAL	JST:SSHL-002T-P0.2	6	PCS
③		HOUSING	DUPONT 2.54-H01 BLACK	6	PCS
②		TERMINAL	DUPONT 2.54 M GOLD PLATED	6	PCS
①		CABLE	UL1571 28AWG(7/0.12TC) JACKET:80P PVC ID:0.9±0.15mm COLOR:BLACK BROWN RED YELLOW GREEN BLUE L=165MM	6	PCS

RoHS COMPLIANT			东莞市博帆科技有限公司			
			DongGuan BoFan Electronics Co.,Ltd TEL:076938835098/38835095 FAX:076938835091			
DRAWN BY		谢建军	20210624	比例: FREE	TITLE: 杜邦2.54-H06 M TO JST GHR-06V-S	
CHECKED BY				单位: mm	SUPPLIER'S ITEM: 9.00ACCA3212.000R	
APPROVED BY					CUSTOMER: SPARK FUN	
					CUSTOMER'S ITEM:	
				DRAWING NO. ACCA-3212		DATE 2021.06.24