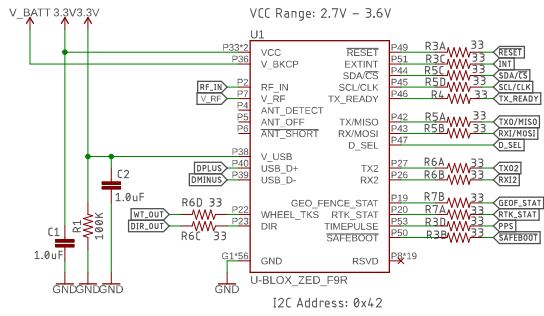
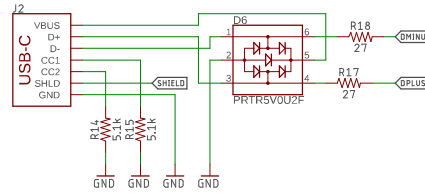


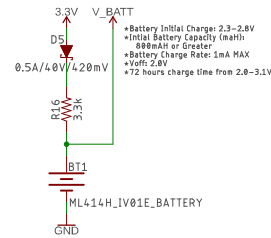
Dead Reckoning Module – ZED-F9R



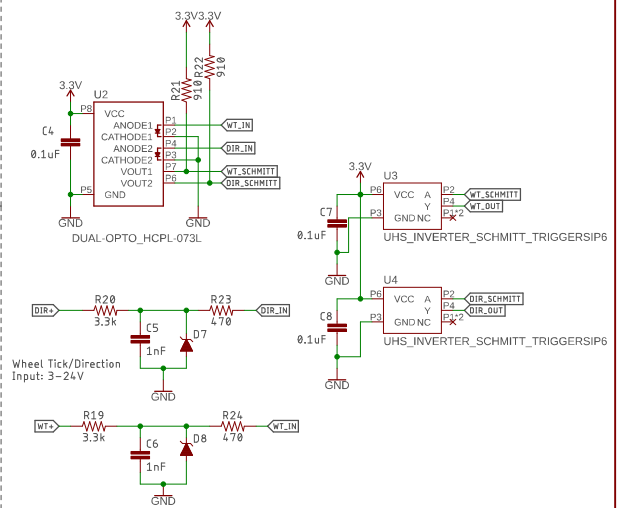
USB – Aiding



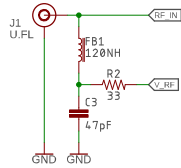
Battery



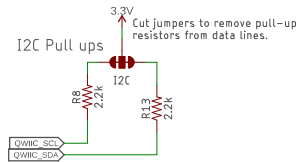
Wheel Tick and Direction Circuitry



Antenna



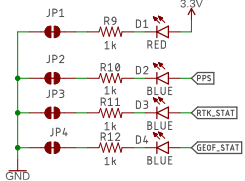
Jumpers



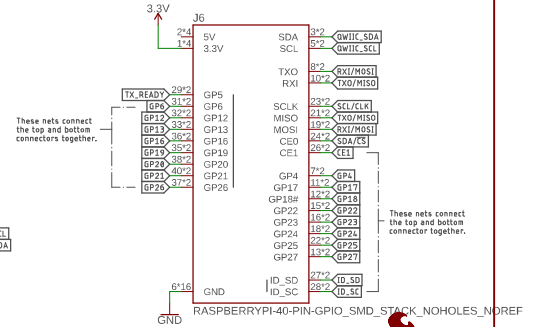
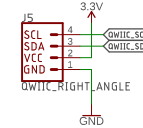
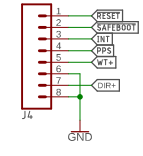
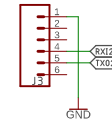
Close Jumper for SPI



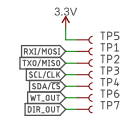
Cut trace to disconnect respective LED



Connectors



Testpoints



gwwiic open hardware **sparkfun**

Released under the Creative Commons Attribution Share-Alike 4.0 license
<https://creativecommons.org/licenses/by-sa/4.0/>

TITLE: SparkFun_GPS_ZED-F9R_pHat

Design by: Elias Santistevan

REV: v10

Date: 5/7/2020 3:56 AM

Sheet: 1/1