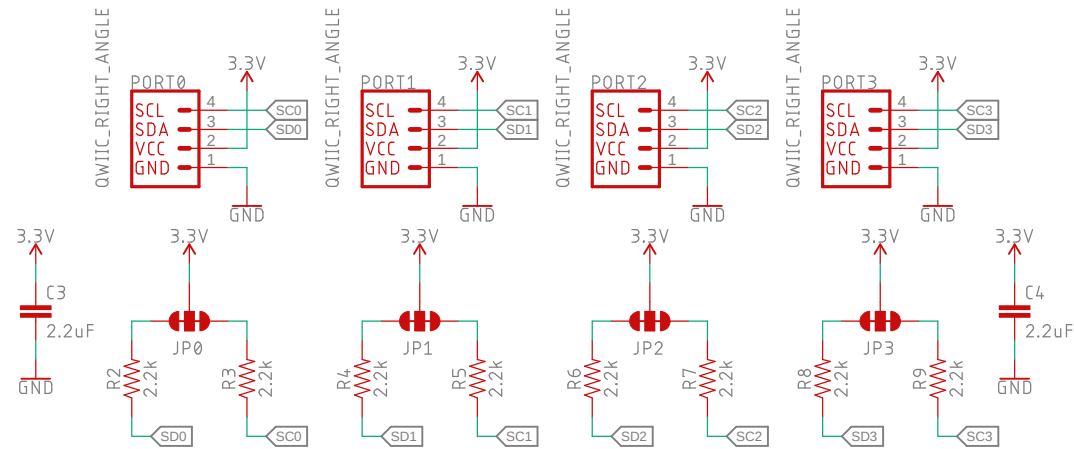
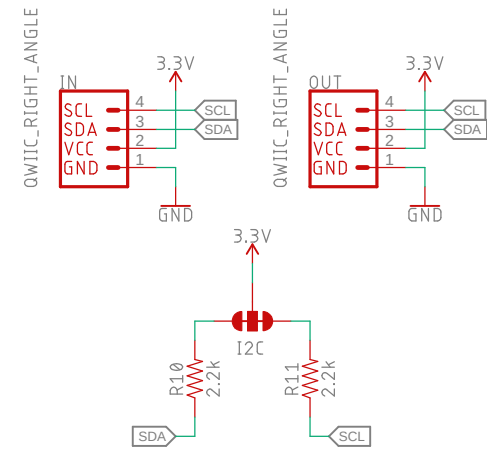


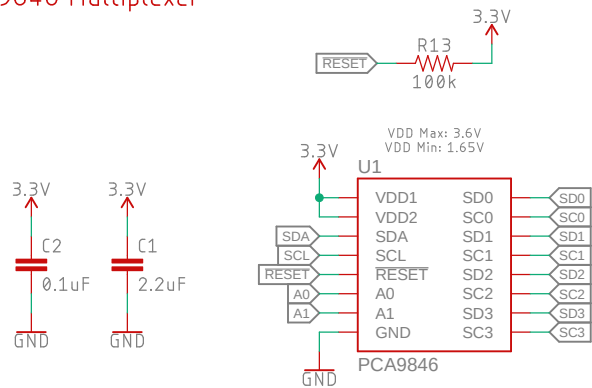
Multiplexed Qwiic Ports



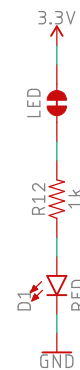
Main Qwiic Ports



PCA9846 Multiplexer



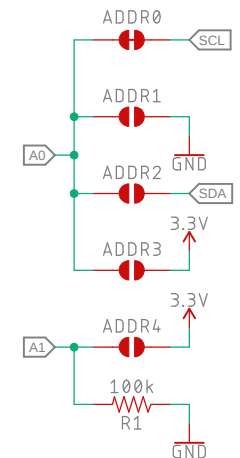
LED



Addressing

Default I2C Address is 0x70 (Unshifted)

Address	ADDR4	ADDR3	ADDR2	ADDR1	ADDR0
0x70	OPEN	OPEN	OPEN	OPEN	CLOSED
0x71	OPEN	OPEN	OPEN	CLOSED	OPEN
0x72	OPEN	OPEN	CLOSED	OPEN	OPEN
0x73	OPEN	CLOSED	OPEN	OPEN	OPEN
0x74	CLOSED	OPEN	OPEN	OPEN	CLOSED
0x75	CLOSED	OPEN	OPEN	CLOSED	OPEN
0x76	CLOSED	OPEN	CLOSED	OPEN	OPEN
0x77	CLOSED	CLOSED	OPEN	OPEN	OPEN



Breakouts



Released under the Creative Commons

Attribution Share-Alike 4.0 License

<https://creativecommons.org/licenses/by-sa/4.0/>

Special Instructions



TITLE: Qwiic_Mux_PCA9846

Design by: Paul Clark

REV:
v01

Date: 23/04/2023 18:58

Sheet: 1/1