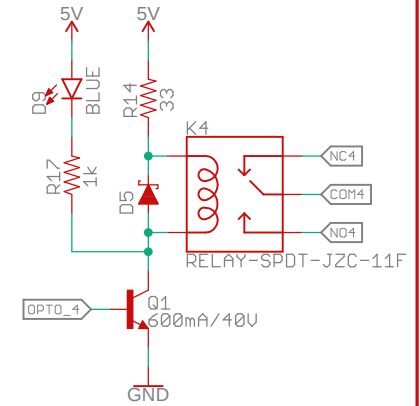
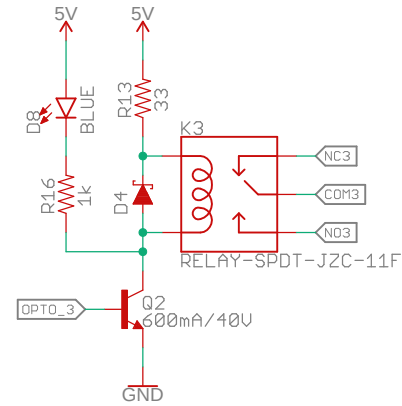
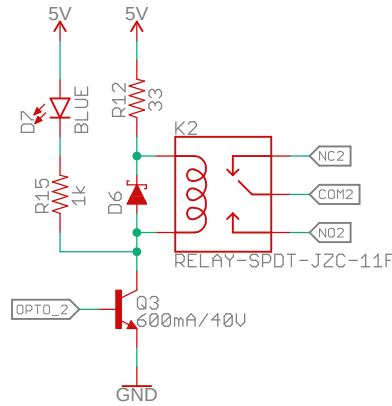
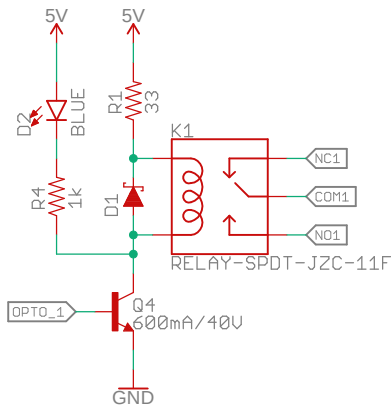
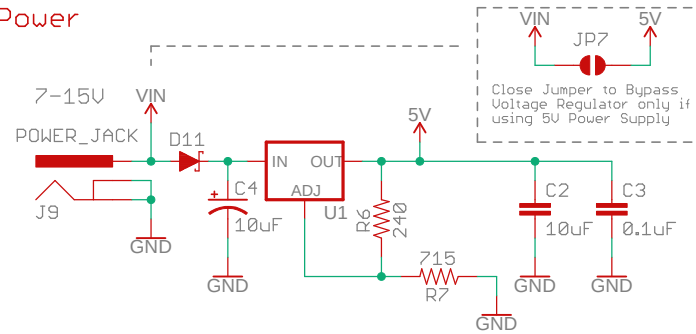


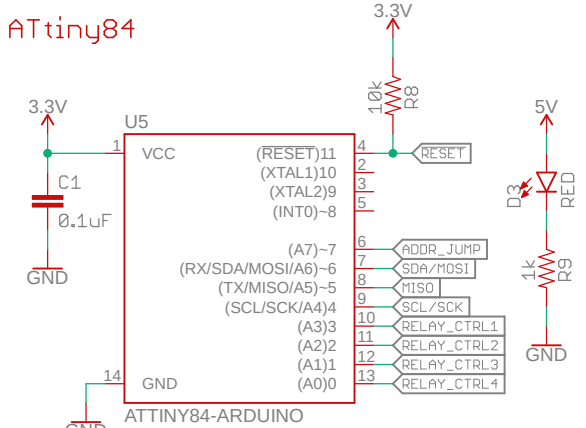
Relay Control



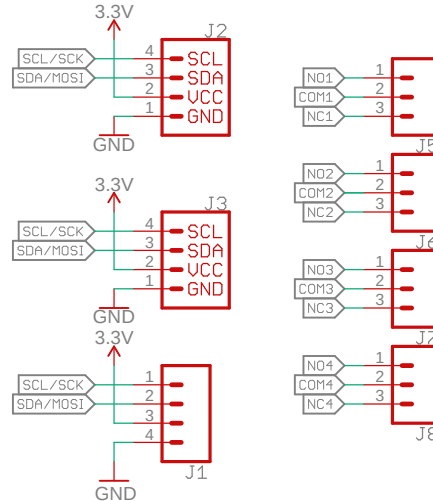
Power



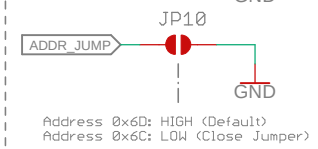
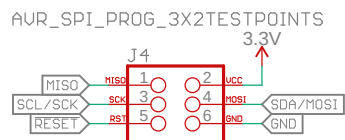
ATtiny84



Connectors



Programming Header



Released under the Creative Commons Attribution Share-Alike 4.0 License
<https://creativecommons.org/licenses/by-sa/4.0/>

TITLE: Qwiic_Quad_Relay

Design by: Elias Santistevan REV: v1.0

Date: 1/3/2019 12:57 AM Sheet: 1/1