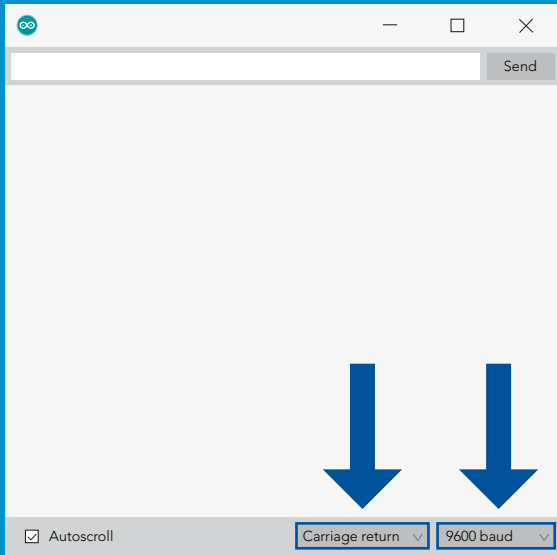
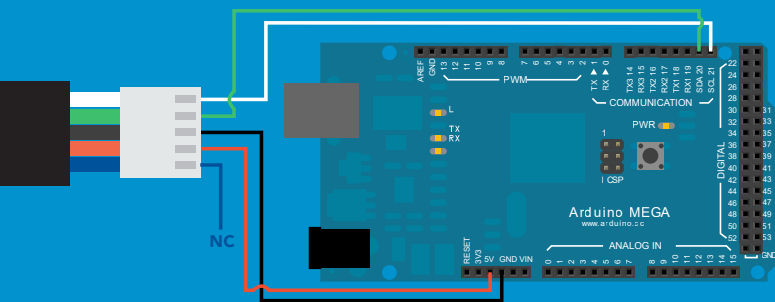


Arduino I<sup>2</sup>C  
EZO-PMP<sup>TM</sup> Sample Code  
Revised 5/10/17

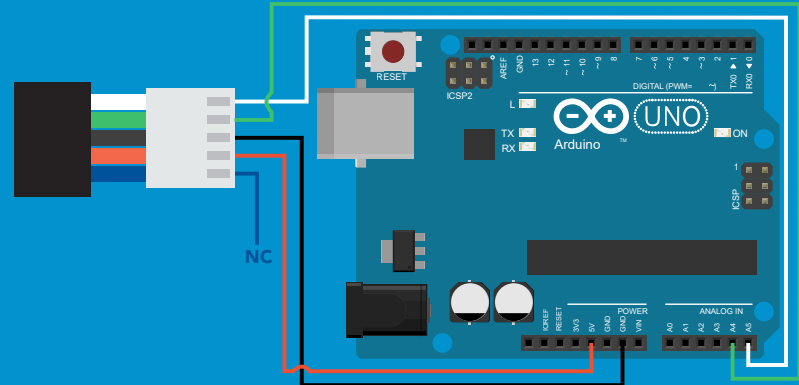


After flashing the Arduino with the code below, open the serial monitor and set it to append **carriage return** only and then set the baud rate to **9600**.

Arduino Mega



Arduino Uno



[Click here to download the sample code](#)