
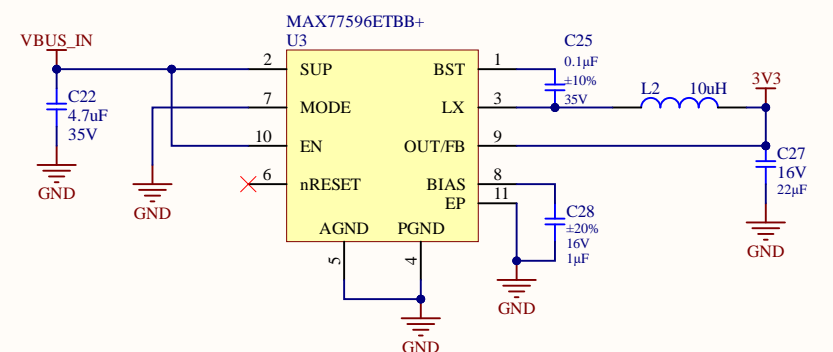
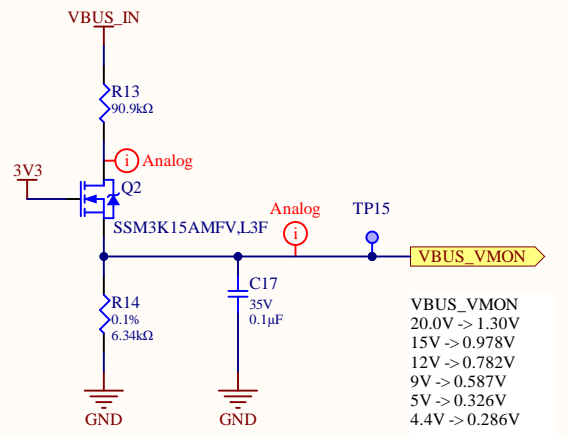
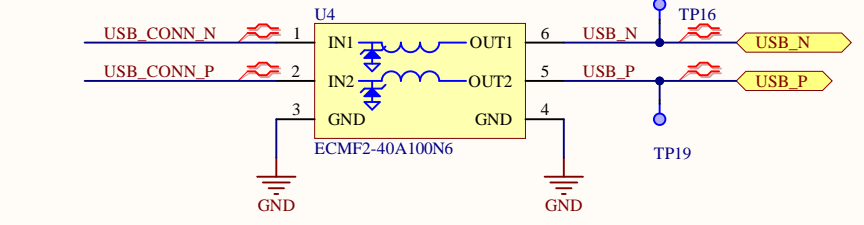
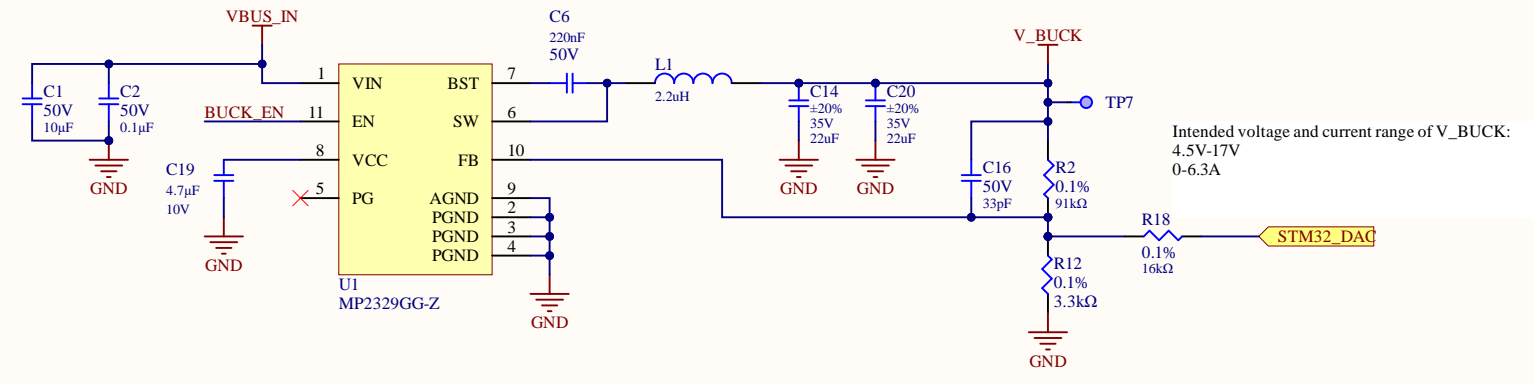
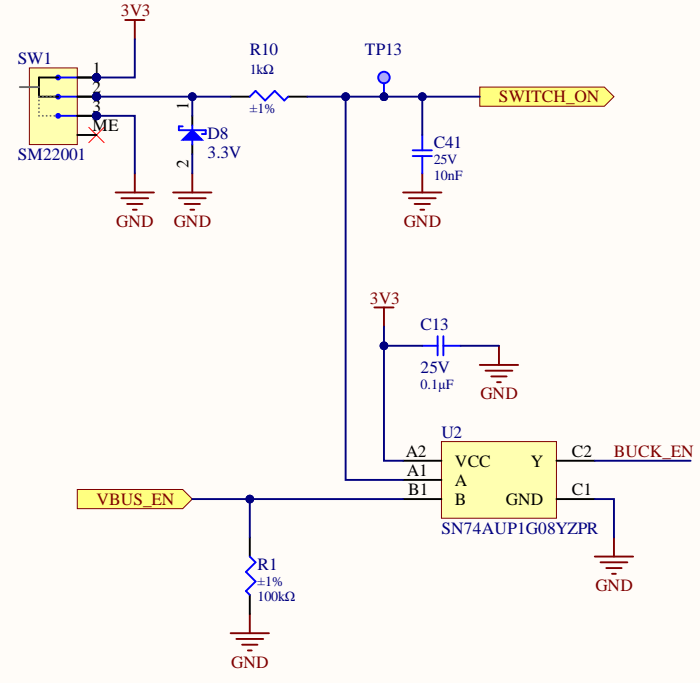
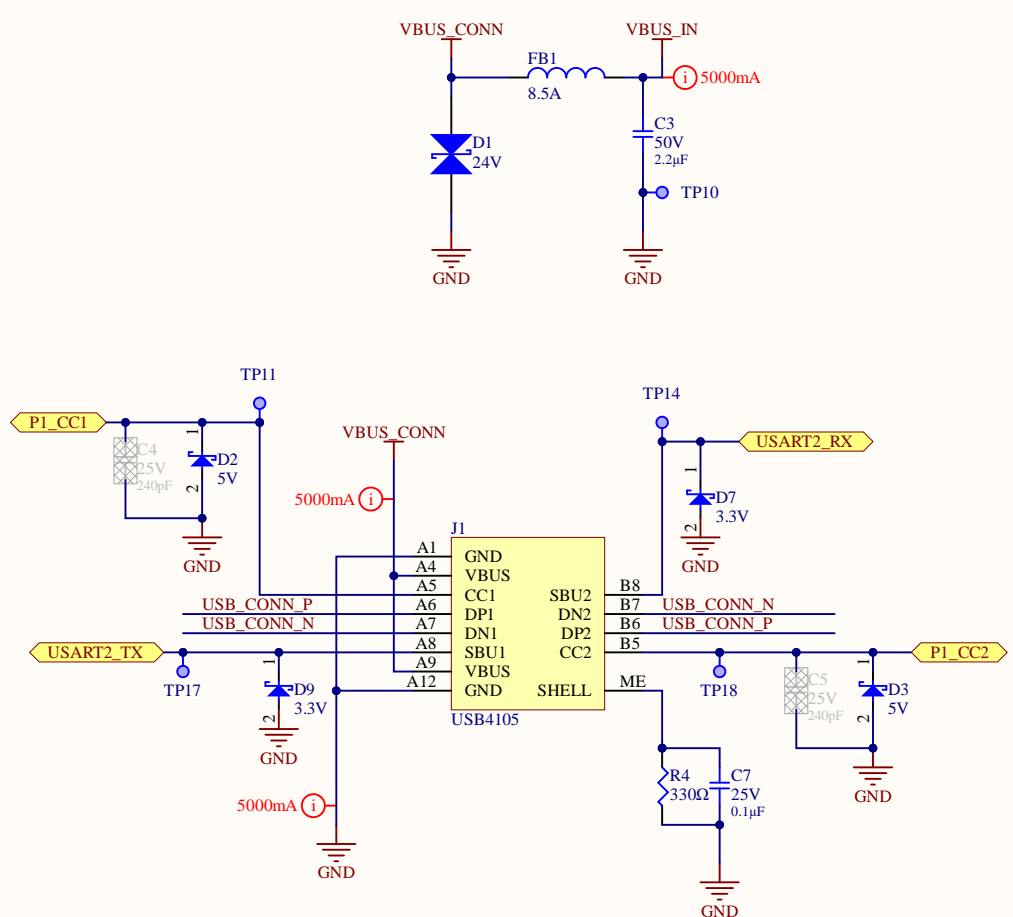


CONTENTS CONFIDENTIAL AND PROPERTY OF INTERCREATE AND CLIENT

Title Block Diagram			 <p>2325 3RD ST. SUITE #204 SAN FRANCISCO CA 94107</p>
Size: A3	Number: ES-SI-2100	Revision: 15	
Date: 6/7/2024	Time: 12:59:07 PM	Sheet 1 of 4	
File: Block_Diagram.SchDoc			

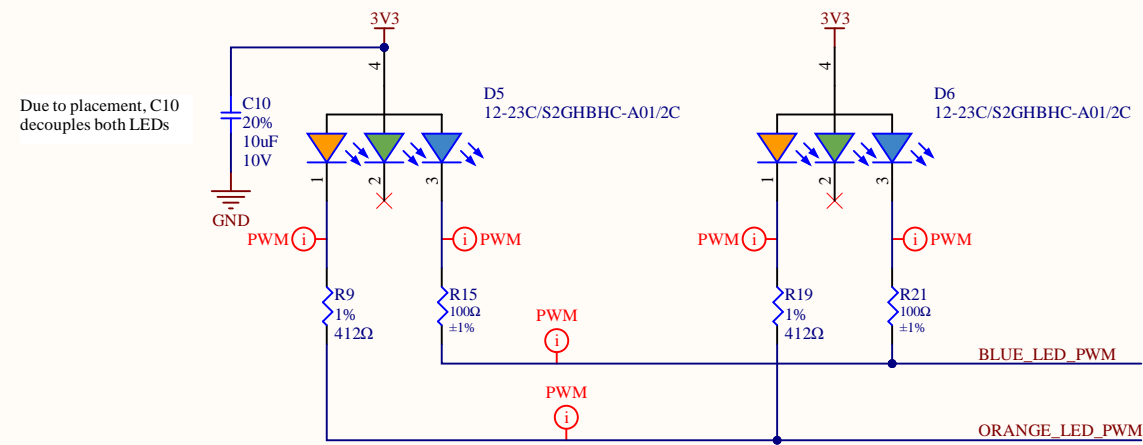
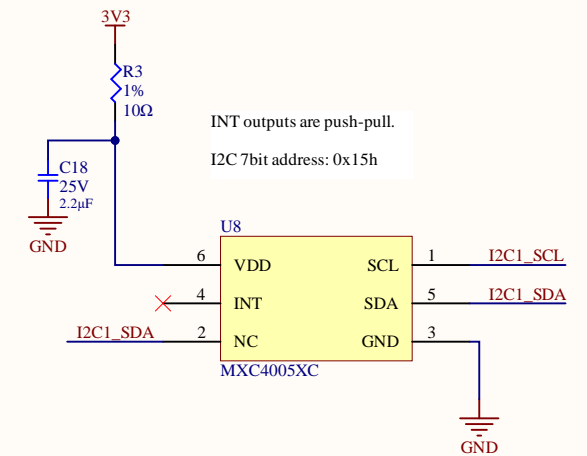
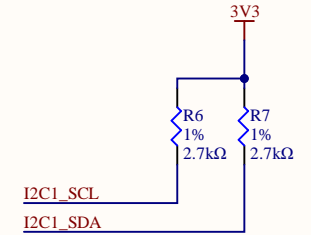
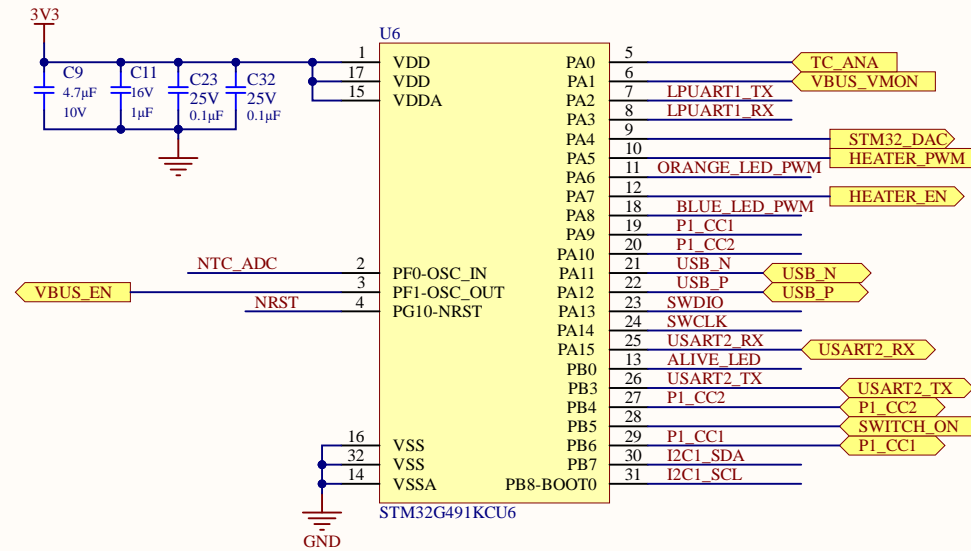
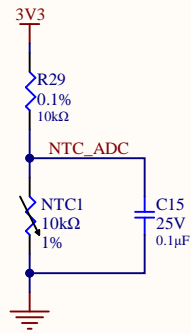
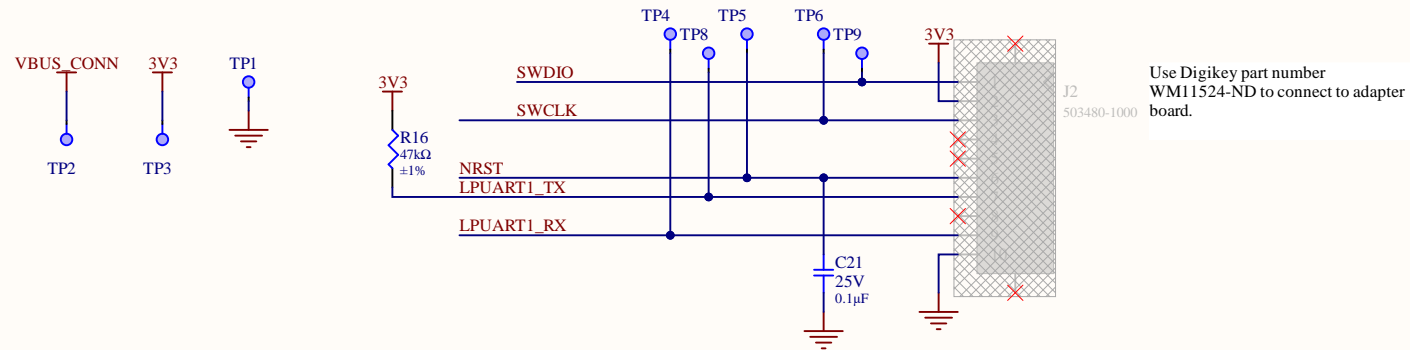


CONTENTS CONFIDENTIAL AND PROPERTY OF INTERCREATE AND CLIENT

Title Power		
Size: A3	Number: ES-SI-2100	Revision: 15
Date: 6/7/2024	Time: 12:59:07 PM	Sheet 2 of 4
File: Power.SchDoc		



Programming and Debug test points



- INTERRUPTS

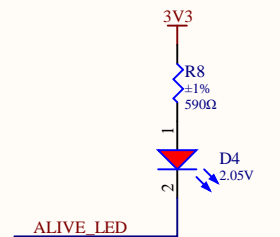
PB5: SWITCH_ON
- PERIPHERALS

PB3: USART2_TX
PA15: USART2_RX
- PA2: LPUART1_TX
PA3: LPUART1_RX
- PB8: I2C1_SCL
PB7: I2C1_SDA
- PB4: USBPD1 CC2
PB6: USBPD1 CC1
- PA9: USBPD1 DBCC1
PA10: USBPD1 DBCC2
- ADC

PA0: ADC1_IN1
PA1: ADC1_IN2
PB0: ADC1_IN15
PF0: ADC1_IN10
- DAC

PA4: DAC1_OUT1
- PWM

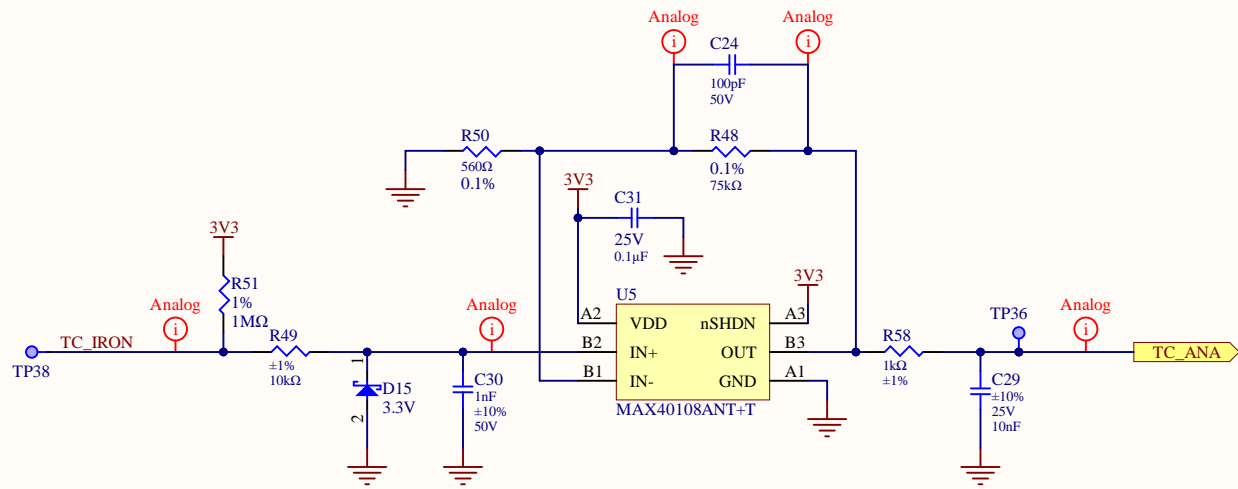
PA5: TIM2_CH1
PA6: TIM3_CH1
PA8: TIM1_CH1



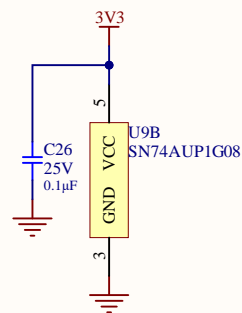
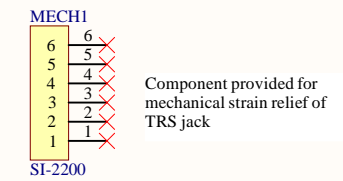
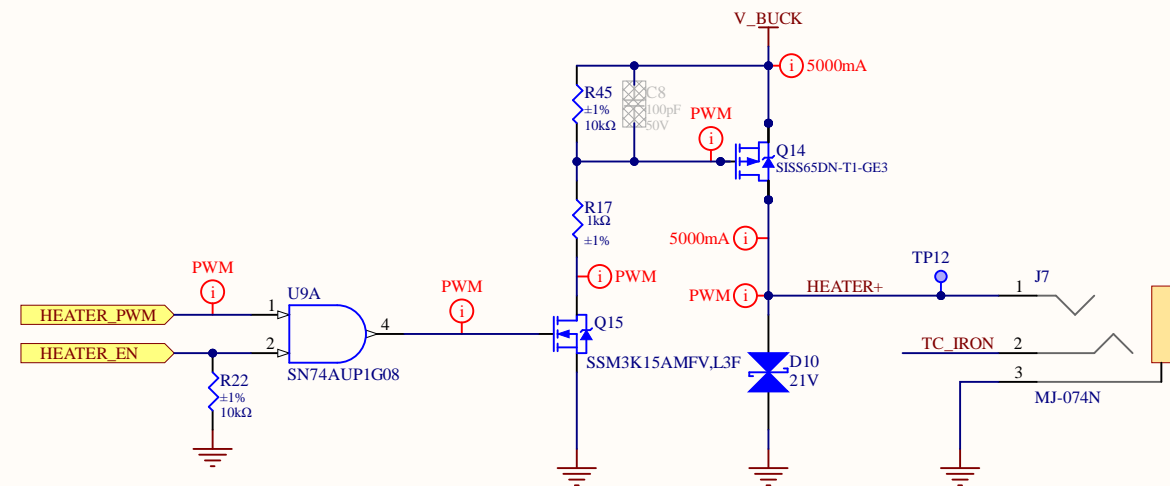
CONTENTS CONFIDENTIAL AND PROPERTY OF INTERCREATE AND CLIENT

Title	MCU	
Size:	A3	Number: ES-SI-2100
Date:	6/7/2024	Revision: 15
File:	MCU.SchDoc	Time: 12:59:07 PM
		Sheet 3 of 4





Thermocouple front end designed for K-Type or J-type only.



CONTENTS CONFIDENTIAL AND PROPERTY OF INTERCREATE AND CLIENT

Title	Heater	
Size:	A3	Number: ES-SI-2100
Date:	6/7/2024	Revision: 15
File:	Heater.SchDoc	Time: 12:59:08 PM
		Sheet 4 of 4

