

1

2

3

4

5

6

A

B

C

D

E

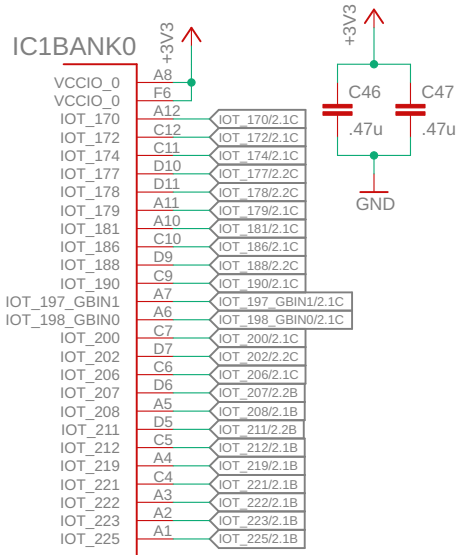
A

B

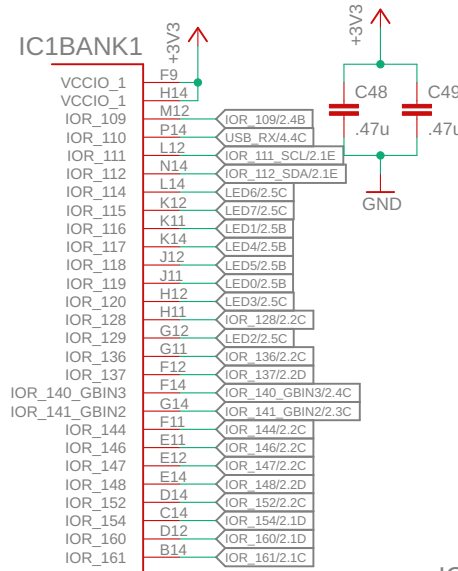
C

D

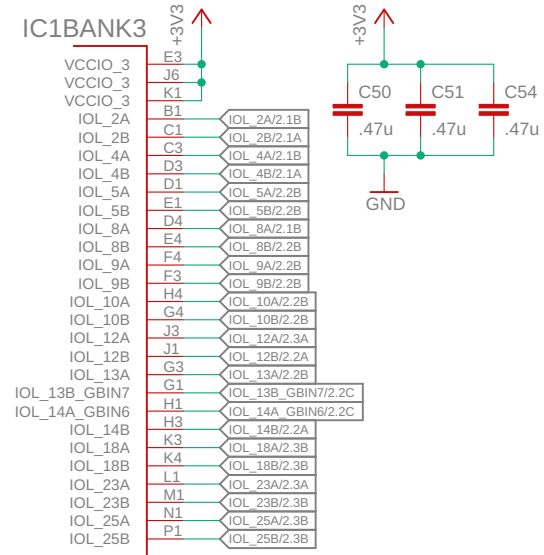
E



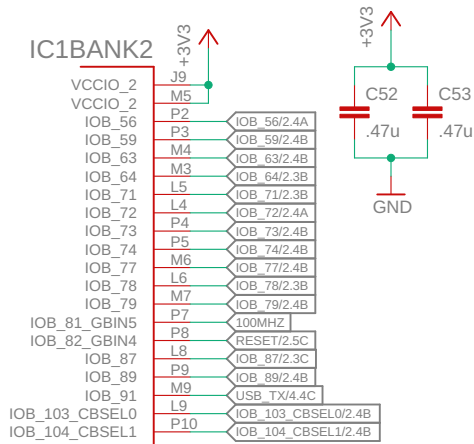
ICE40HX8K-CB132IC



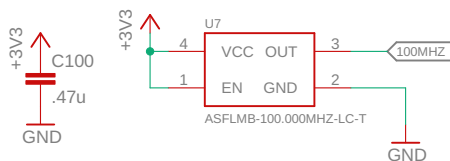
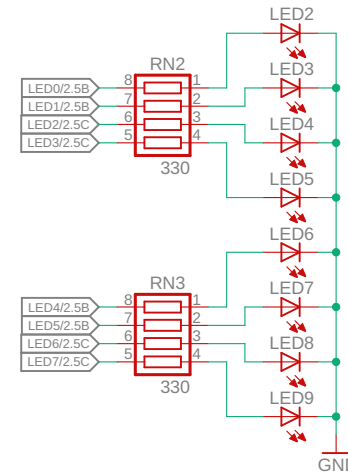
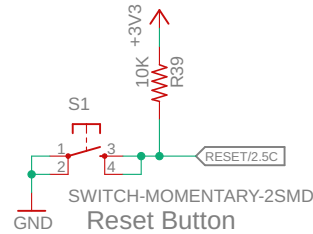
ICE40HX8K-CB132IC



ICE40HX8K-CB132IC



ICE40HX8K-CB132IC



TITLE: alchitry\_copper v14

Document Number:

REV:

Date: 1/15/2025 4:41 PM

Sheet: 1/4

1

2

3

4

5

6

A

A

# Bank A

# Bank B

# Power/Control

B

B

C

C

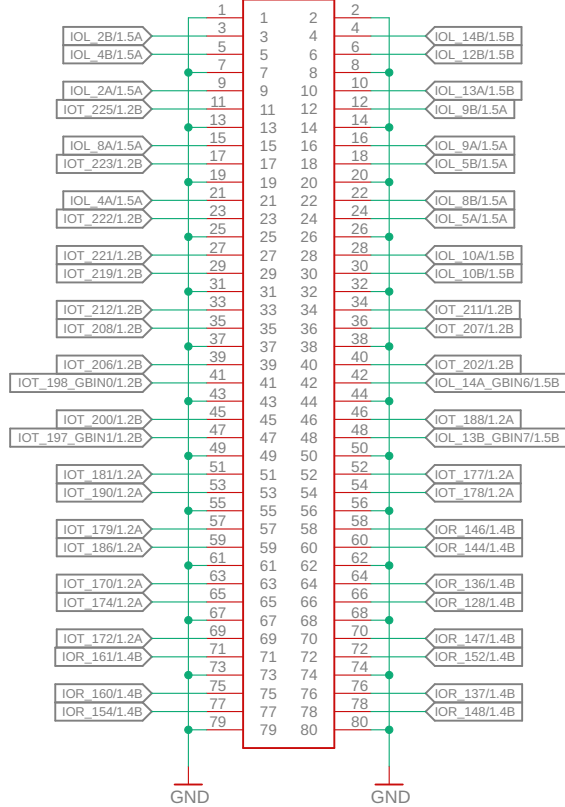
D

D

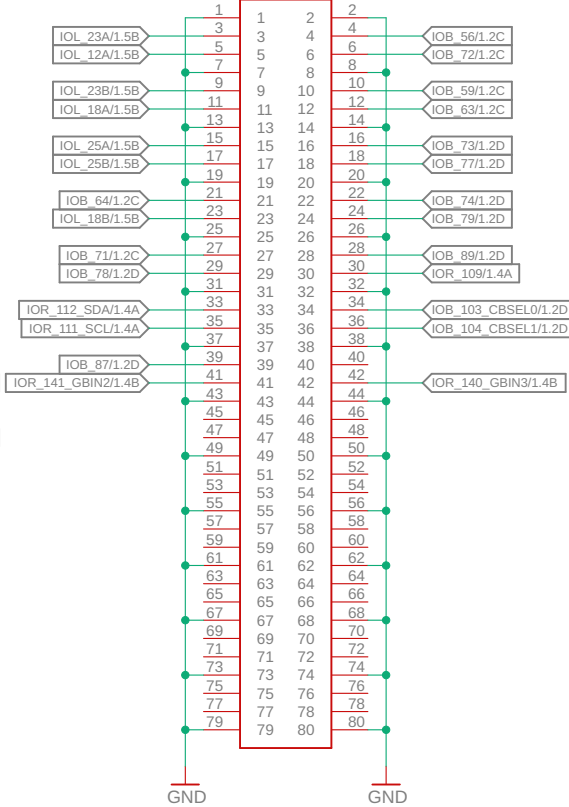
E

E

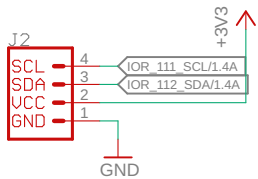
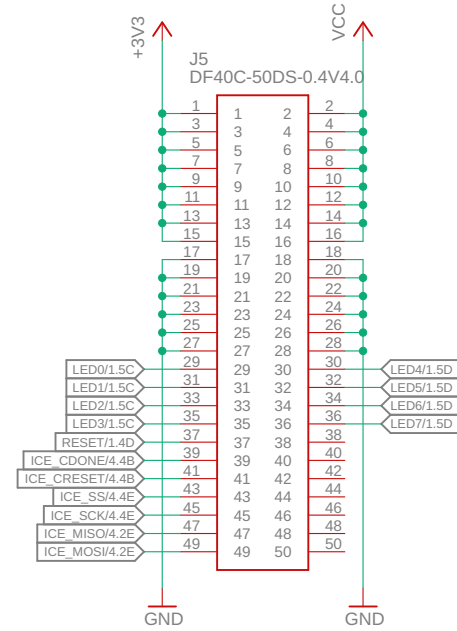
J3  
DF40C-80DS-0.4V4.0



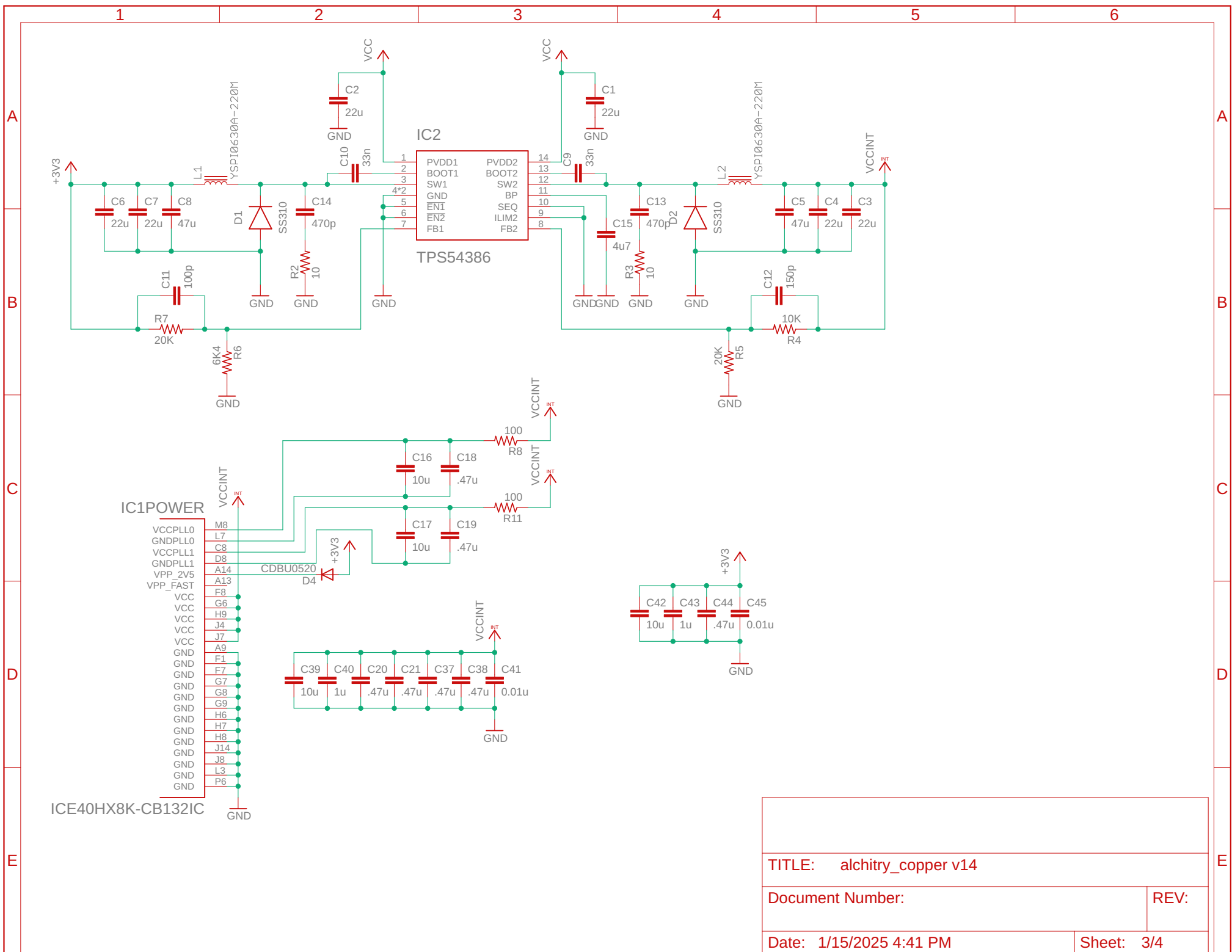
J4  
DF40C-80DS-0.4V4.0



J5  
DF40C-50DS-0.4V4.0



TITLE: alchitry_copper v14	
Document Number:	REV:
Date: 1/15/2025 4:41 PM	Sheet: 2/4

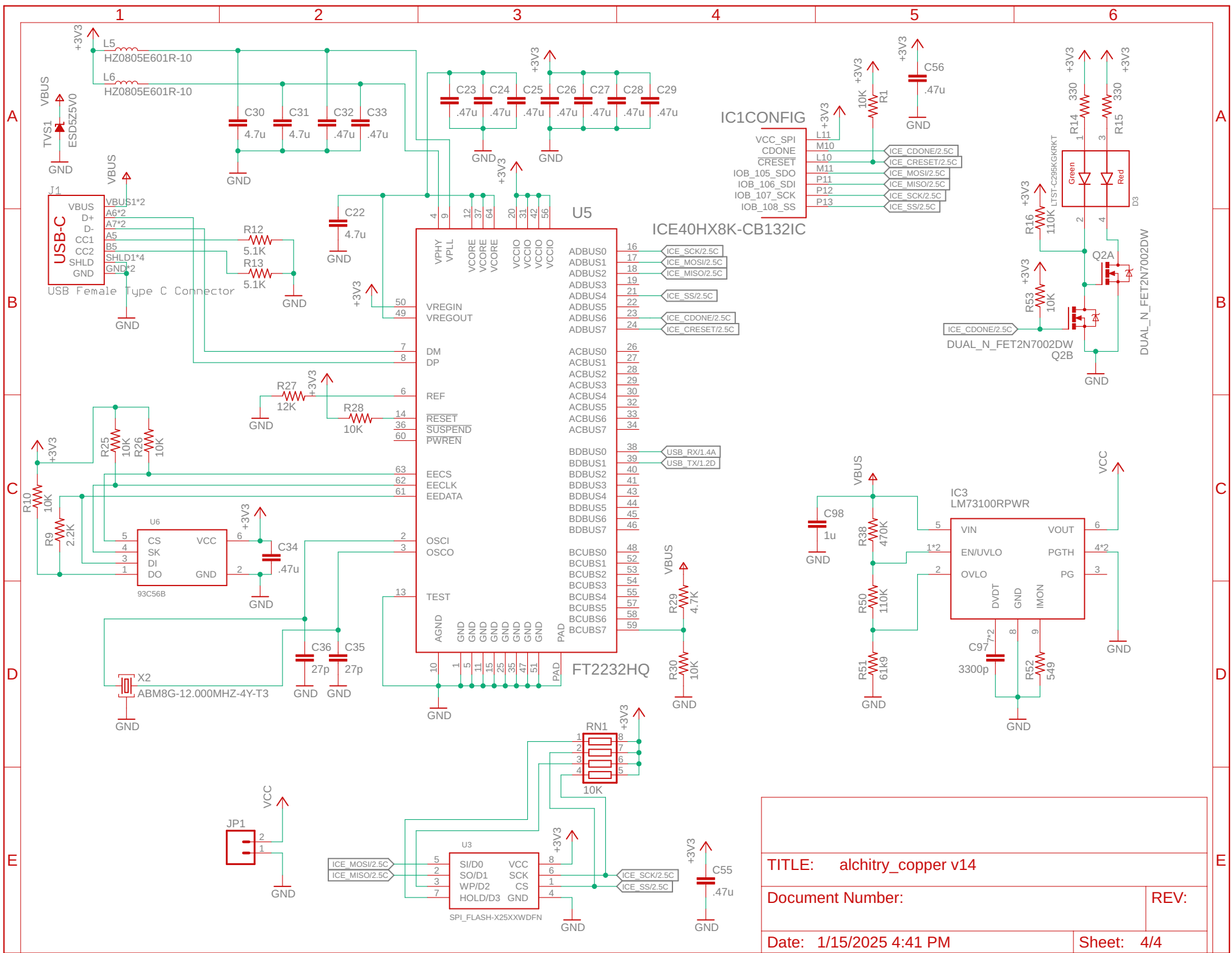


TITLE: alchitry\_copper v14

Document Number: \_\_\_\_\_ REV: \_\_\_\_\_

Date: 1/15/2025 4:41 PM

Sheet: 3/4



TITLE: alchitry\_copper v14

Document Number:

REV:

Date: 1/15/2025 4:41 PM

Sheet: 4/4