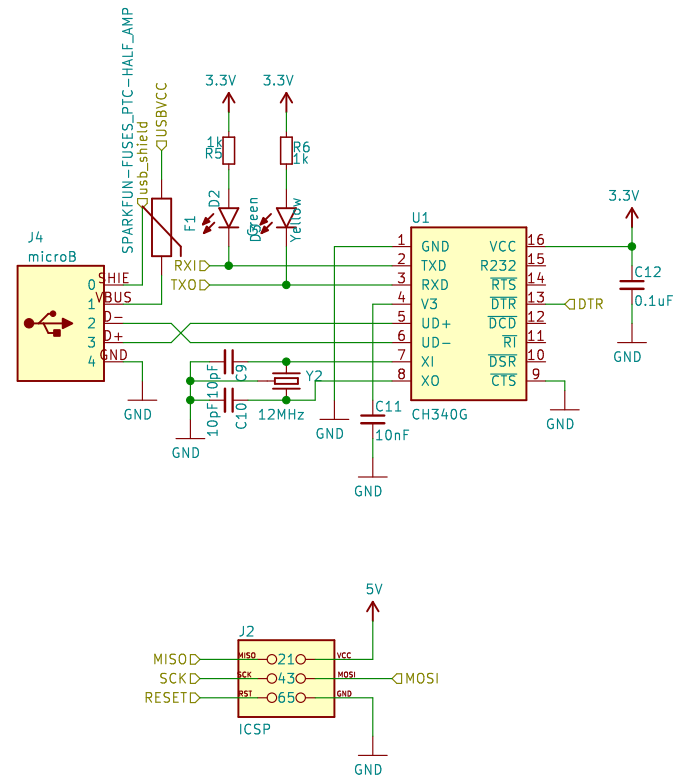
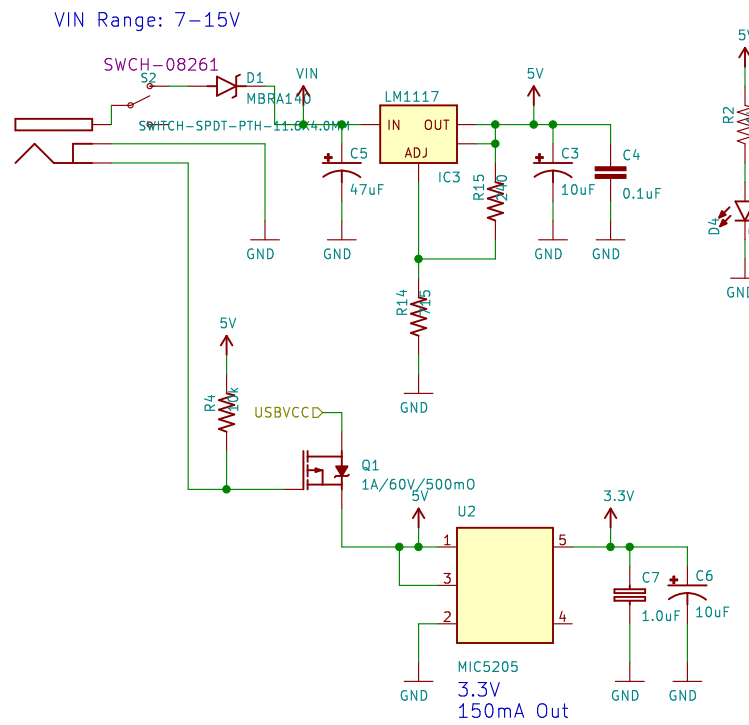


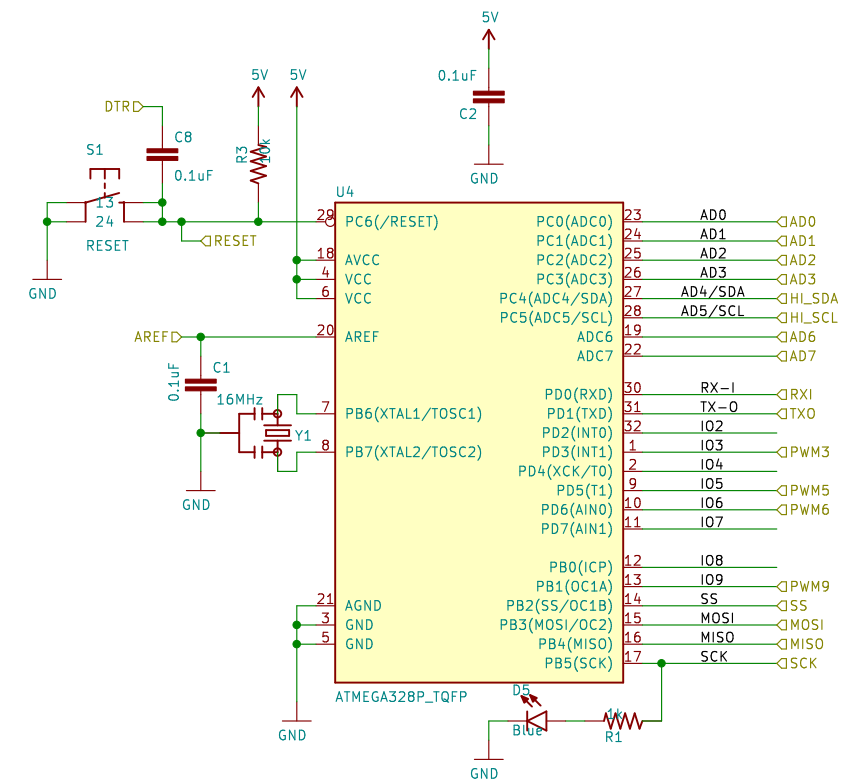
USB to Serial



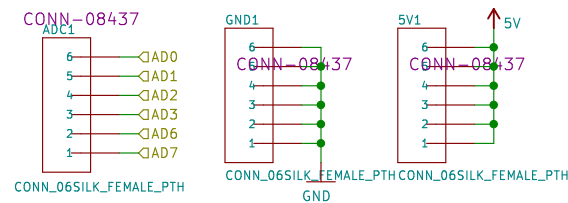
Power Supply



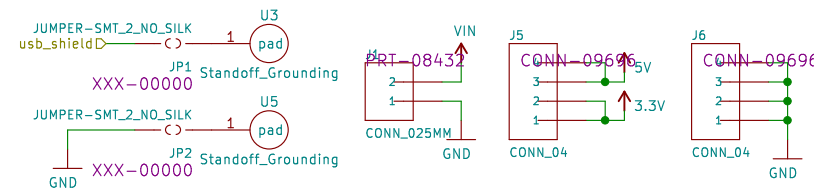
ATmega328



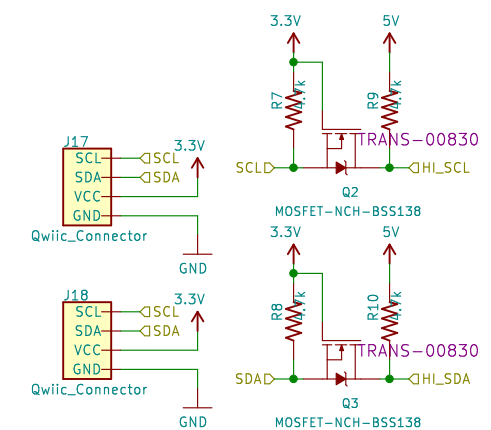
ADC Headers



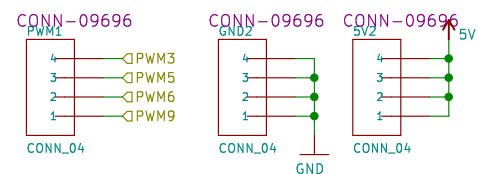
Power Headers



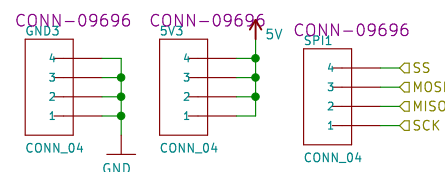
Qwiic Headers and Logic Shifting



PWM Headers



SPI Headers



SparkFun Electronics
 Sheet: /
 File: RedBoard_Edge.sch

Title: **GeoFence.sch**

Size: B Date: 23 JUN 2017
 KiCad E.D.A. kicad 4.0.6

Rev: /
 Id: 1/1