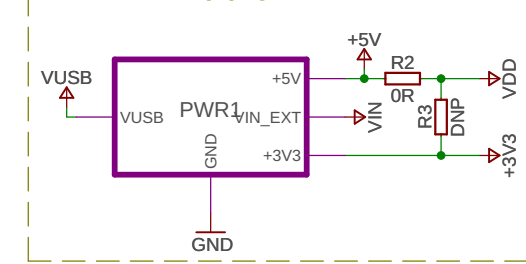
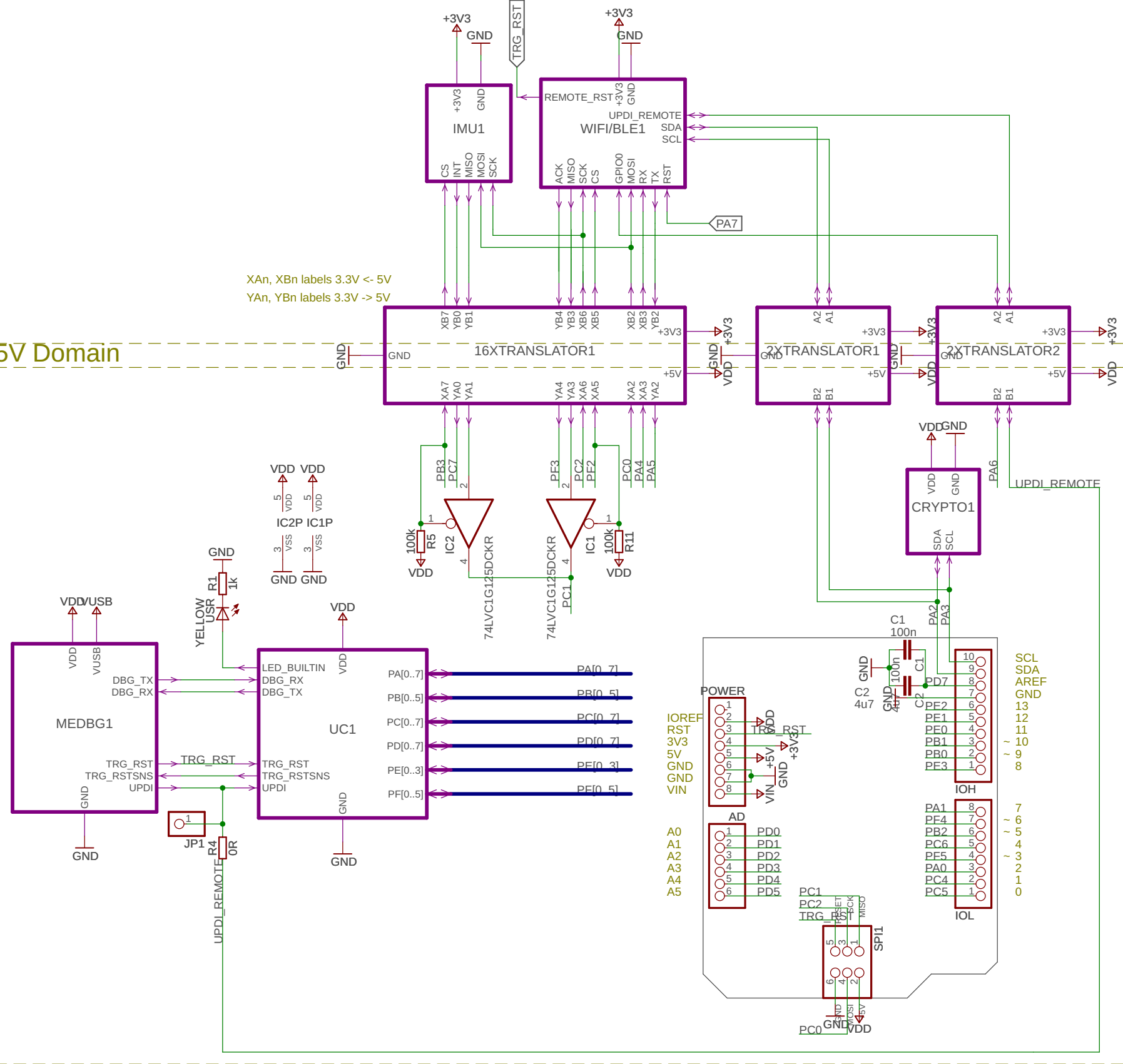


3.3V Domain

5V Domain

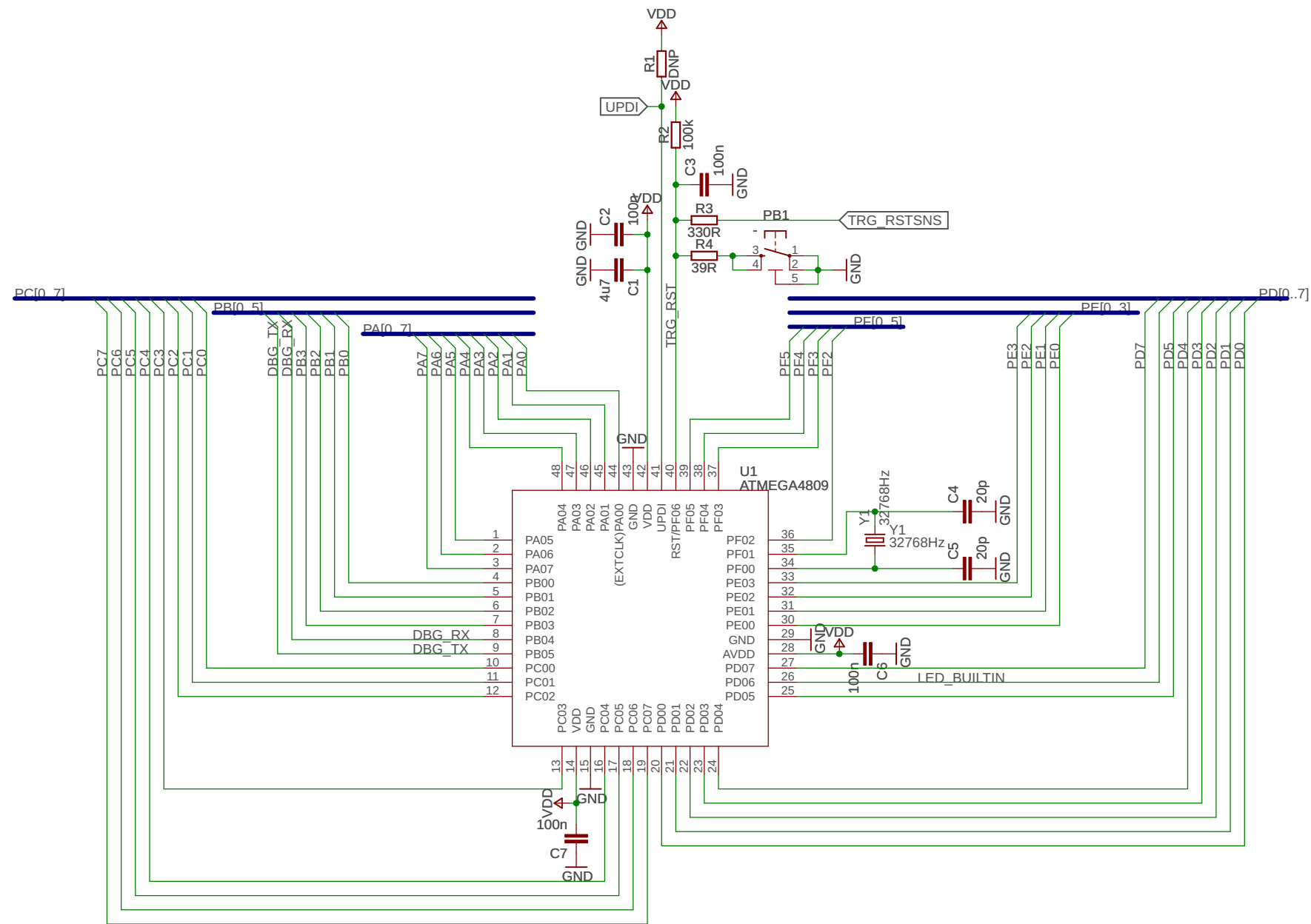
Power Supply



Reference Designs ARE PROVIDED "AS IS" AND "WITH ALL FAULTS. Arduino SA DISCLAIMS ALL OTHER WARRANTIES, EXPRESS OR IMPLIED, REGARDING PRODUCTS, INCLUDING BUT NOT LIMITED TO, ANY IMPLIED WARRANTIES OF MERCHANTABILITY OR FITNESS FOR A PARTICULAR PURPOSE. Arduino SA may make changes to specifications and product descriptions at any time, without notice. The Customer must not rely on the absence or characteristics of any features or instructions marked "reserved" or "undefined." Arduino SA reserves these for future definition and shall have no responsibility whatsoever for conflicts or incompatibilities arising from future changes to them. The product information on the Web Site or Materials is subject to change without notice. Do not finalize a design with this info

ARDUINO and other Arduino brands and logos and Trademarks of Arduino SA. All Arduino SA Trademarks cannot be used without owner's formal permission. This file is licensed under : CC-SA-BY-NC

Main Block Scheme	Arturo Guadalupi
	UNOWiFiREV2V4.0
	15/10/18 16:54
	Sheet: 1/1

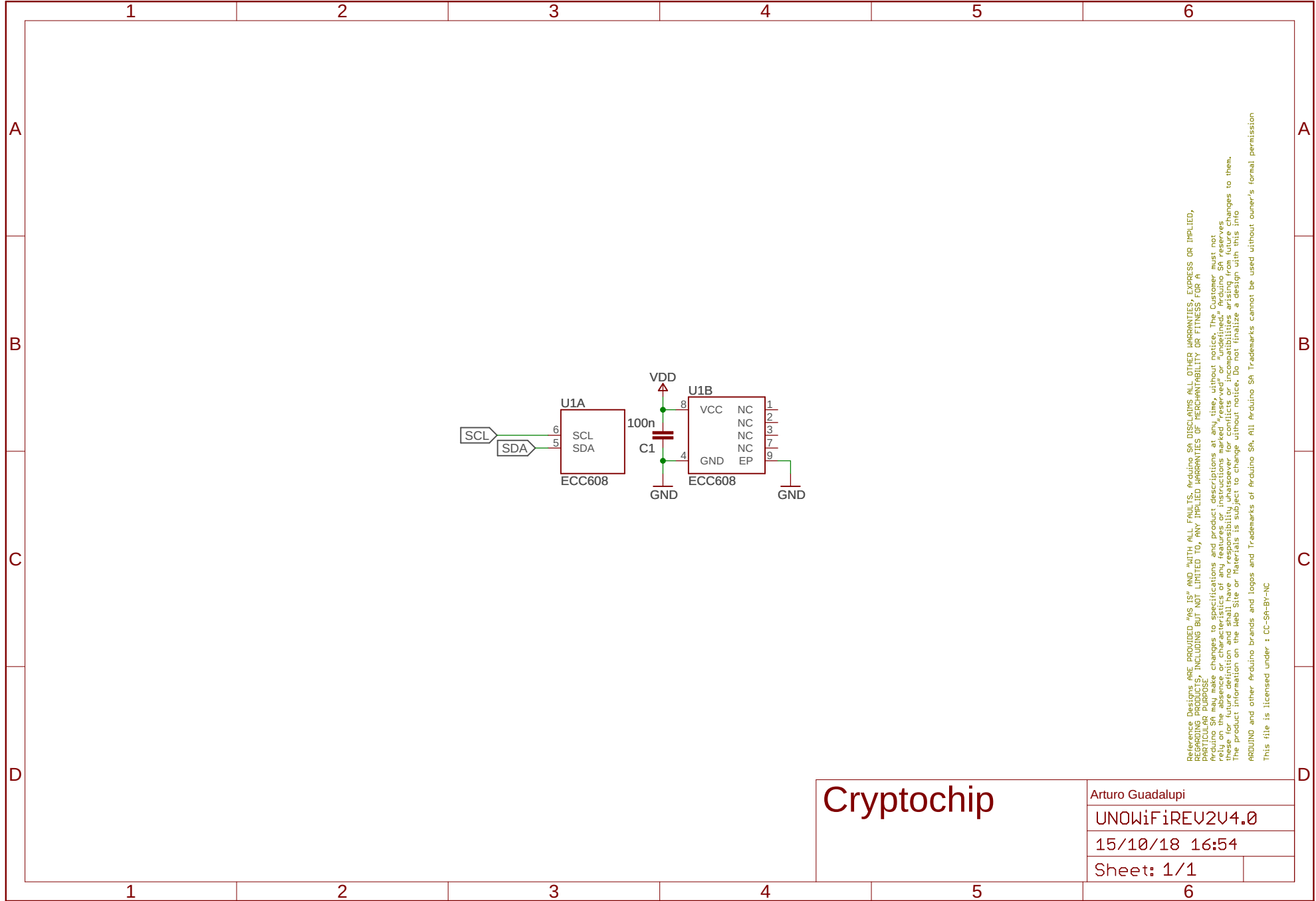


Reference Designs ARE PROVIDED "AS IS" AND "WITH ALL FAULTS. Arduino SA DISCLAIMS ALL OTHER WARRANTIES, EXPRESS OR IMPLIED, REGARDING PRODUCTS, INCLUDING BUT NOT LIMITED TO, ANY IMPLIED WARRANTIES OF MERCHANTABILITY OR FITNESS FOR A PARTICULAR PURPOSE. Arduino SA may make changes to specifications and product descriptions at any time, without notice. The Customer must not rely on the absence or characteristics of any features or instructions marked "reserved" or "undefined." Arduino SA reserves these for future definition and shall have no responsibility whatsoever for conflicts or incompatibilities arising from future changes to them. The product information on the Web Site or Materials is subject to change without notice. Do not finalize a design with this info

ARDUINO and other Arduino brands and logos and Trademarks of Arduino SA. All Arduino SA Trademarks cannot be used without owner's formal permission. This file is licensed under : CC-SA-BY-NC

ATMEGA4809

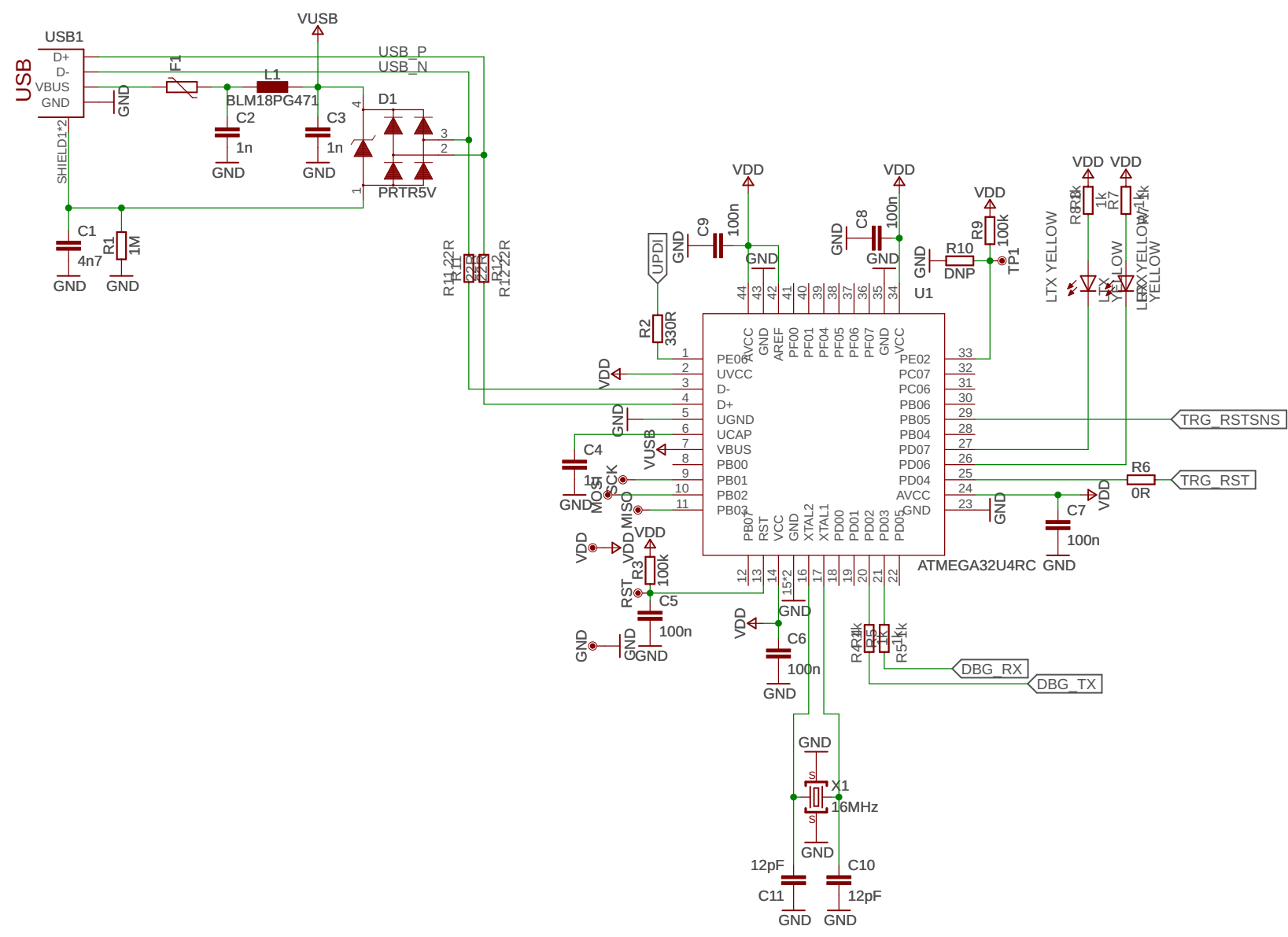
Arturo Guadalupi
UNOWiFiREV2V4.0
15/10/18 16:54
Sheet: 1/1



Reference Designs ARE PROVIDED "AS IS" AND "WITH ALL FAULTS. Arduino SA DISCLAIMS ALL OTHER WARRANTIES, EXPRESS OR IMPLIED, REGARDING PRODUCTS, INCLUDING BUT NOT LIMITED TO, ANY IMPLIED WARRANTIES OF MERCHANTABILITY OR FITNESS FOR A PARTICULAR PURPOSE. Arduino SA may make changes to specifications and product descriptions at any time, without notice. The Customer must not rely on the absence or characteristics of any features or instructions marked "reserved" or "undefined." Arduino SA reserves the right to discontinue or alter specifications without notice at any time. The product information on the Arduino SA website or the Arduino SA website is subject to change without notice. Arduino SA does not warrant that the information on the Arduino SA website or the Arduino SA website is accurate, complete, or current. Arduino SA and other Arduino brands and logos and Trademarks of Arduino SA. All Arduino SA Trademarks cannot be used without owner's formal permission. This file is licensed under : CC-BY-NC

Cryptochip

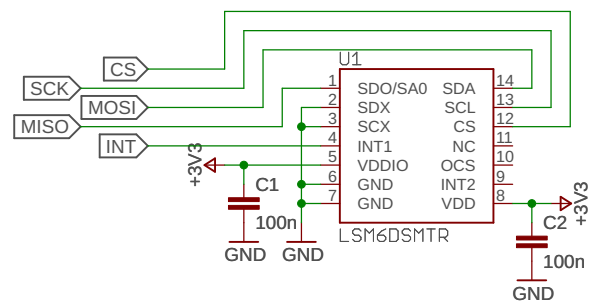
Arturo Guadalupi
 UNOWiFiREV2V4.0
 15/10/18 16:54
 Sheet: 1/1



Reference Designs ARE PROVIDED "AS IS" AND "WITH ALL FAULTS. Arduino SA DISCLAIMS ALL OTHER WARRANTIES, EXPRESS OR IMPLIED, REGARDING PRODUCTS, INCLUDING BUT NOT LIMITED TO, ANY IMPLIED WARRANTIES OF MERCHANTABILITY OR FITNESS FOR A PARTICULAR PURPOSE. Arduino SA may make changes to specifications and product descriptions at any time, without notice. The Customer must not rely on the absence or characteristics of any features or instructions marked "reserved" or "undefined." Arduino SA reserves these for future definition and shall have no responsibility whatsoever for conflicts or incompatibilities arising from future changes to them. The product information on the Web Site or Materials is subject to change without notice. Do not finalize a design with this info

ARDUINO and other Arduino brands and logos and Trademarks of Arduino SA. All Arduino SA Trademarks cannot be used without owner's formal permission
 This file is licensed under : CC-SA-BY-NC

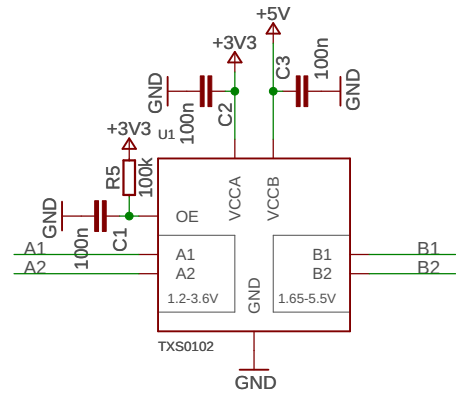
mEDBG	UNOWiFiREV2U4.0
	15/10/18 16:54
	Sheet: 1/1



Reference Designs ARE PROVIDED "AS IS" AND "WITH ALL FAULTS. Arduino SA DISCLAIMS ALL OTHER WARRANTIES, EXPRESS OR IMPLIED, REGARDING PRODUCTS, INCLUDING BUT NOT LIMITED TO, ANY IMPLIED WARRANTIES OF MERCHANTABILITY OR FITNESS FOR A PARTICULAR PURPOSE. Arduino SA may make changes to specifications and product descriptions at any time, without notice. The Customer must not rely on the absence or characteristics of any features or instructions marked "reserved" or "undefined." Arduino SA reserves the right to discontinue or alter specifications without notice at any time. The Customer shall indemnify, defend and hold harmless Arduino SA, its agents, distributors, affiliates, sub-licensees, successors, assigns and licensors from all claims, damages, losses and expenses, including reasonable attorneys' fees, arising from the use of the Reference Design, in whole or in part. The product information on the Web Site or Materials is subject to change without notice. Do not initialize a design with this file. ARDUINO and other Arduino brands and logos and Trademarks of Arduino SA. All Arduino SA Trademarks cannot be used without owner's formal permission. This file is licensed under : CC-BY-NC

IMU 6DOF

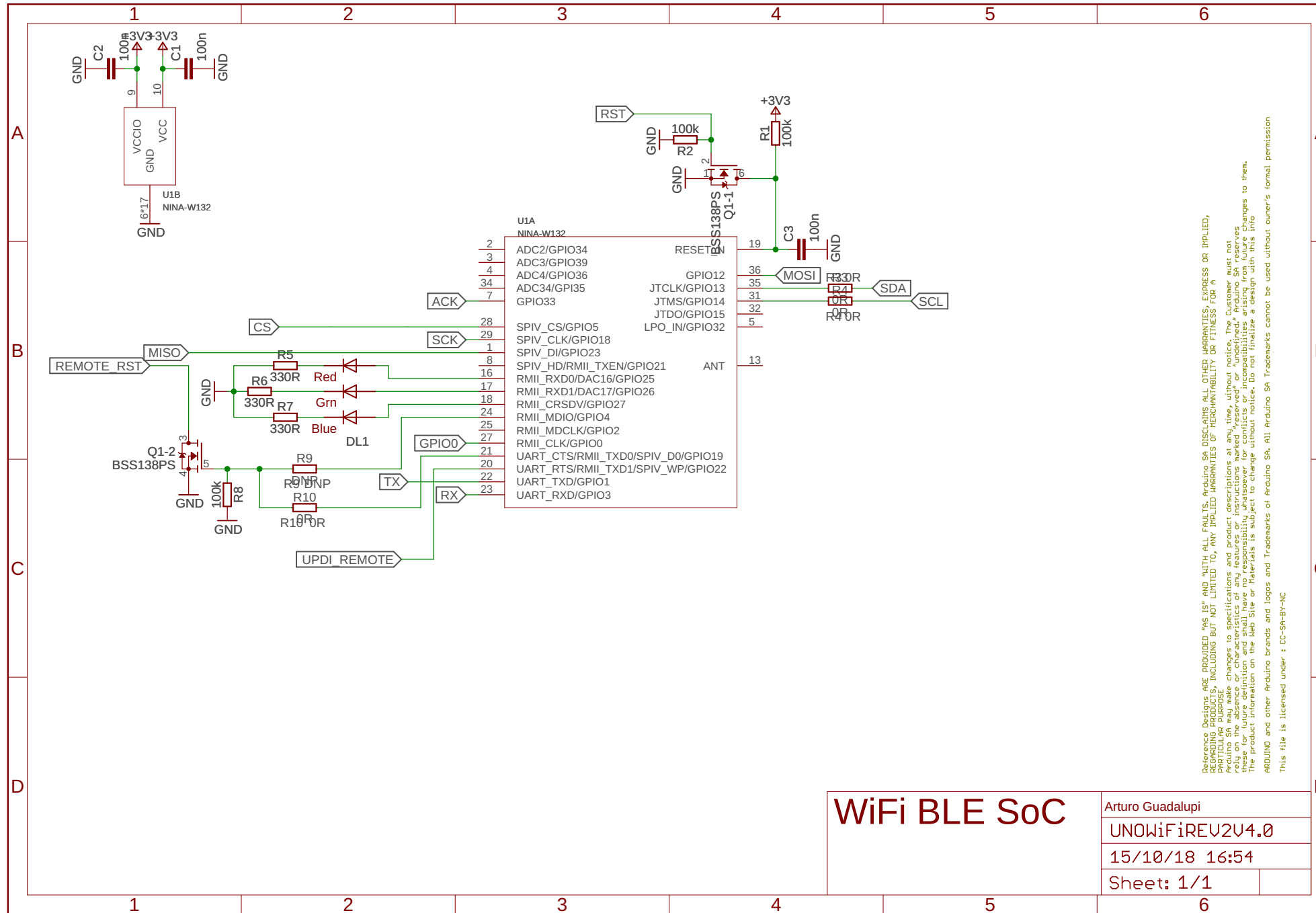
Arturo Guadalupi
UNOWiFiREV2V4.0
15/10/18 16:54
Sheet: 1/1



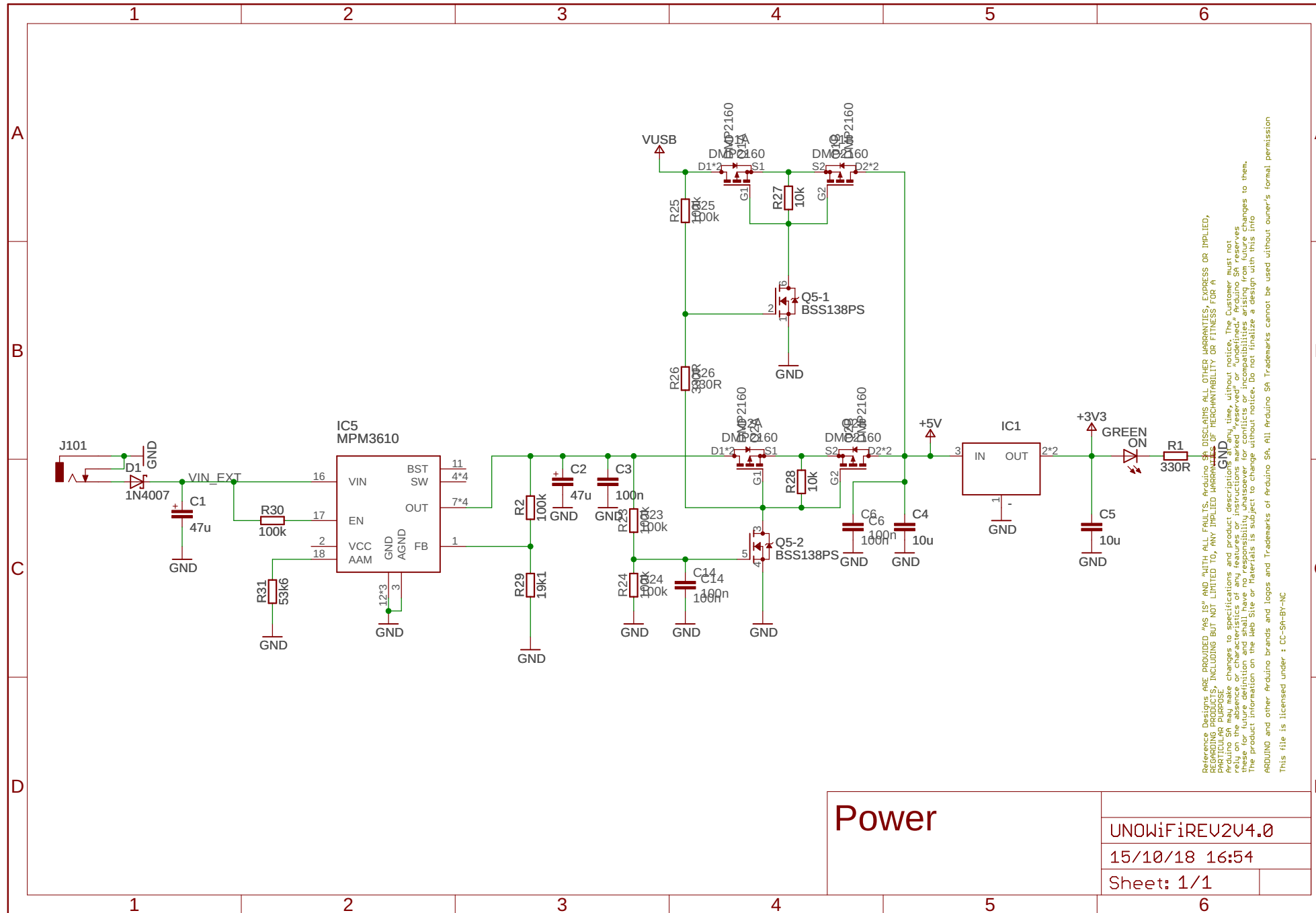
Reference Designs ARE PROVIDED "AS IS" AND "WITH ALL FAULTS. Arduino SA DISCLAIMS ALL OTHER WARRANTIES, EXPRESS OR IMPLIED, REGARDING PRODUCTS, INCLUDING BUT NOT LIMITED TO, ANY IMPLIED WARRANTIES OF MERCHANTABILITY OR FITNESS FOR A PARTICULAR PURPOSE. Arduino SA may make changes to specifications and product descriptions at any time, without notice. The Customer must not rely on the absence or characteristics of any features or instructions marked "reserved" or "undefined." Arduino SA reserves the right to discontinue or alter specifications without notice at any time. The Customer shall indemnify, defend and hold harmless Arduino SA, its agents, distributors, affiliates, sub-licensees, successors, assigns and licensors from all claims, damages, losses, liabilities, costs and expenses, including reasonable attorneys' fees, arising from the use of the product information on the Web Site or Materials in any design or device. The product information on the Web Site or Materials is subject to change without notice. Do not initialize a design with this file. ARDUINO and other Arduino brands and logos and Trademarks of Arduino SA. All Arduino SA Trademarks cannot be used without owner's formal permission. This file is licensed under : CC-SA-BY-NC

2 Bits Level Shifter

Arturo Guadalupi
 UNOWiFiREV2V4.0
 15/10/18 16:54
 Sheet: 1/1



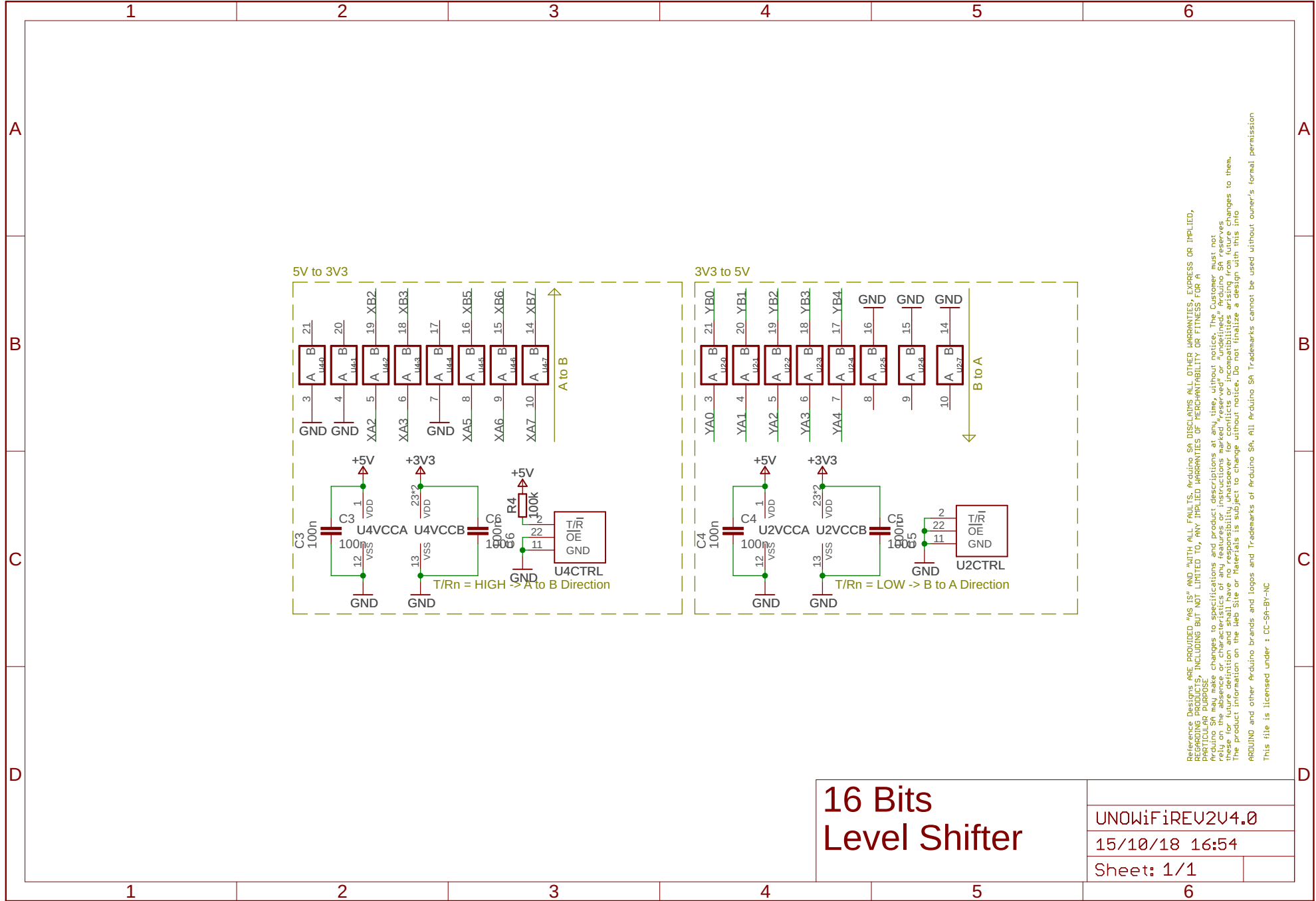
<h1>WiFi BLE SoC</h1>	Arturo Guadalupi
	UNOWiFiREV2V4.0
	15/10/18 16:54
	Sheet: 1/1



Reference Designs ARE PROVIDED "AS IS" AND "WITH ALL FAULTS." Arduino SA DISCLAIMS ALL OTHER WARRANTIES, EXPRESS OR IMPLIED, REGARDING PRODUCTS, INCLUDING BUT NOT LIMITED TO, ANY IMPLIED WARRANTIES OF MERCHANTABILITY OR FITNESS FOR A PARTICULAR PURPOSE. Arduino SA may make changes to specifications and product descriptions without notice. The Customer must not rely on the absence or characteristics of any features or instructions marked "reserved" or "undefined." Arduino SA reserves the right to change specifications and instructions at any time without notice, and is not liable for errors or for any damages to them. The product information on the Web Site or elsewhere is subject to change without notice. Do not initialize a design with this file. ARDUINO and other Arduino brands and logos and Trademarks of Arduino SA. All Arduino SA Trademarks cannot be used without owner's formal permission. This file is licensed under : CC-SA-BY-NC

Power

UNOWiFiREV2V4.0
 15/10/18 16:54
 Sheet: 1/1



Reference Designs ARE PROVIDED "AS IS" AND WITH ALL FAULTS. Arduino SA DISCLAIMS ALL OTHER WARRANTIES, EXPRESS OR IMPLIED, REGARDING PRODUCTS, INCLUDING BUT NOT LIMITED TO, ANY IMPLIED WARRANTIES OF MERCHANTABILITY OR FITNESS FOR A PARTICULAR PURPOSE. Arduino SA may make changes to specifications and product descriptions at any time, without notice. The Customer must not rely on the absence or characteristics of any features or instructions marked "reserved" or "undefined." Arduino SA reserves the right to discontinue or alter specifications without notice. The product information on the Web Site or Hardware is subject to change without notice. Do not finalize a design with this file. ARDUINO and other Arduino brands and logos and Trademarks of Arduino SA. All Arduino SA Trademarks cannot be used without owner's formal permission. This file is licensed under : CC-BY-NC

16 Bits Level Shifter

UNOWiFiREV2V4.0
 15/10/18 16:54
 Sheet: 1/1