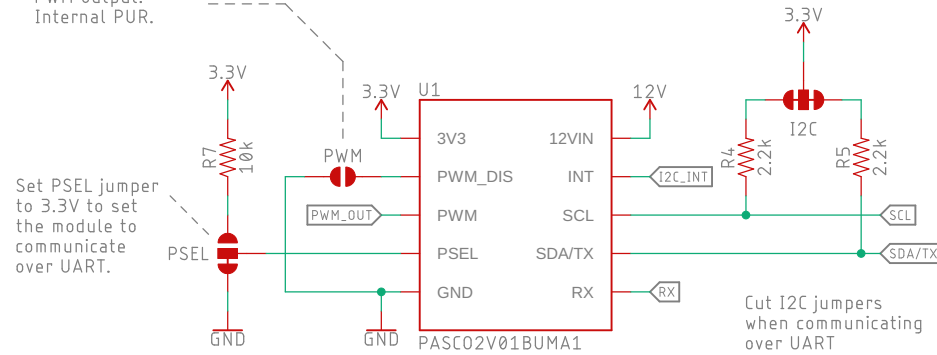


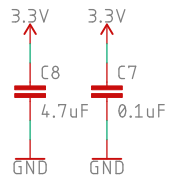
## CO2 Sensor

Connect PWM jumper to enable PWM output. Internal PUR.

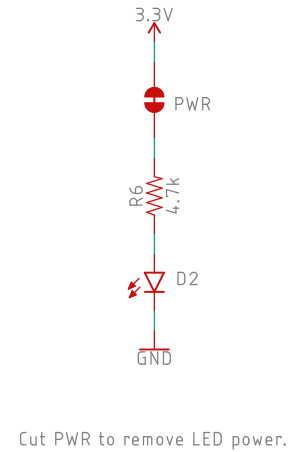


7-bit unshifted address: 0x28

Power requirements:  
3.3V - 10mA peak, 6.1mA average  
12V - 130mA peak, 0.8mA average

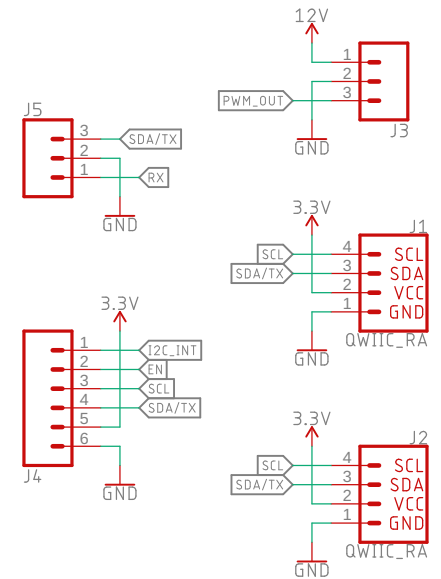


## Power LED

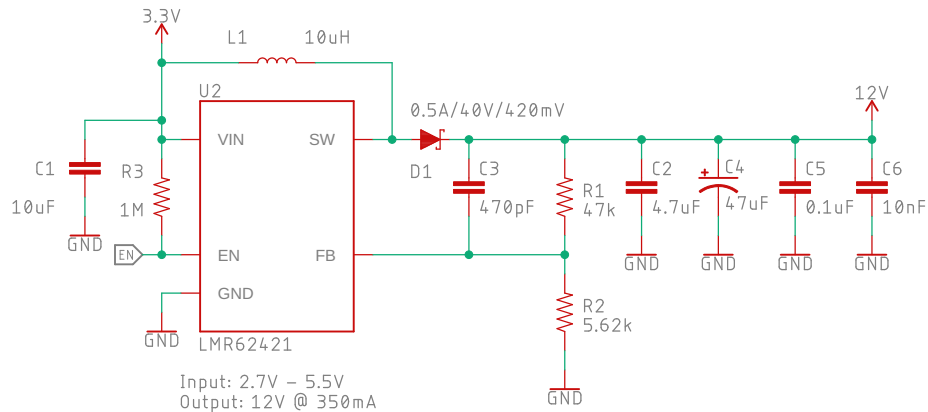


Cut PWR to remove LED power.

## Connectors



## 3.3V to 12V Boost Regulator



Input: 2.7V - 5.5V  
Output: 12V @ 350mA

**sparkfun**

**open hardware**  
**QWIIC**

Released under the Creative Commons

Attribution Share-Alike 4.0 License

<https://creativecommons.org/licenses/by-sa/4.0/>



TITLE: SparkFun\_Qwiic\_CO2\_Sensor\_XENSIV\_PAS

Design by: Alex Brudner

REV:  
v10

Date: 8/17/2023 3:14 PM

Sheet: 1/1